

# MAXxAIR®

VENTILATION SOLUTIONS

## YOUR #1 CHOICE FOR RV VENTILATION



## THE ONLY VENT COVER TUFF ENOUGH 6-YEAR Limited WARRANTY\*

\*Warranty limited to repair or replacement by MAXXAIR, see website for details

### MAXxAIR II

### RAIN COVER FOR RV ROOF VENTS

Twice The Vent Area Of Our Original Vent Cover!

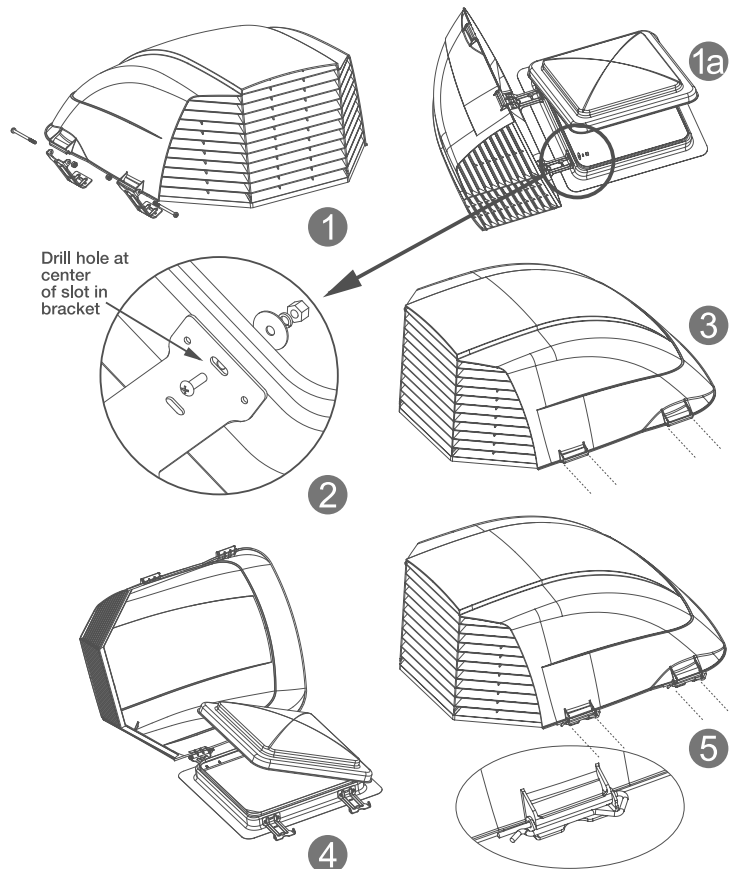
- ▶ Exclusive side louvers provide cross ventilation - **MORE FRESH AIR, RAIN OR SHINE!**
  - ▶ The MAXXAIR II is the ONLY vent cover that includes hinged brackets for easy opening for cleaning and inspection
- FOR INSTALLATION OVER HIGH POWERED RV FAN VENTILATORS SEE DETAILED INSTRUCTIONS ON BACK.**

## INSTALLATION INSTRUCTIONS

### FOR STANDARD ROOF VENTS

#### READ AND SAVE THESE INSTRUCTIONS

1. Based on your roof vent location, choose which side of the MAXXAIR II to install the hinged brackets. Install as shown in Fig. 1 using the #10-32 screws and locknuts provided.
2. With the louvers facing the rear of the vehicle, slide the MAXXAIR II with the installed hinged brackets up to the side of your roof vent. Center the brackets front to back on the vent side wall. Mark center of slots in brackets onto the roof vent side wall. Move MAXXAIR II out of the way. Drill one 3/16" hole at center of the marked slots. Attach brackets with the #8-32 screw. Place fender washers, lock washers and nuts on the inside of the roof vent side wall.
3. Close MAXXAIR II, mark location of feet onto the roof on the opposite side.
4. Line brackets up with marks on the roof. Drill one 3/16" hole in the side wall of the roof vent at the center of each slot location. Attach brackets to the vent side wall with the #8-32 screws. Place fender washers, lock washers and nuts on the inside of the roof vent side wall.
5. Close MAXXAIR II and slide the two snap lock pins into place as shown. Press the snap lock pins downward to lock into position.



**THIS CONCLUDES THE INSTALLATION.  
ENJOY YOUR NEW MAXXAIR II.**

#### CONTENTS OF KIT

- |  |   |
|--|---|
| 1 - MAXXAIR II Vent Cover              | 4 - #8-32 SS Nuts                         |
| 4 - Aluminum Brackets                  | 4 - #8 SS Lock Washers                    |
| 2 - Snap Lock Pins                     | 4 - #8 Fender Washers                     |
| 2 - #10-32 x 2.75" SS Screws           | 8 - #6 x 1/2" SS Self-Tapping Screws (for |
| 2 - #10-32 SS Lock Nuts                | installation over High-Powered Fans)      |
| 4 - #8 - 32 x 1/2" SS Phil. HD Screws. |   |

#### TOOLS REQUIRED

POWER DRILL WITH 3/16" DRILL BIT, PHILLIPS HEAD SCREWDRIVER, ADJUSTABLE WRENCH & PENCIL

**SEE OUR INSTALLATION VIDEO AT [www.AIRXCEL.com](http://www.AIRXCEL.com)**

\*Warranty limited to repair or replacement of the MAXXAIR II by MAXXAIR VENTILATION SOLUTIONS

P/N: 10A50109, REV A, 11-2015

# Mounting the MAXXAIR II Over High Powered Fans Like MAXXFAN, MAXXFAN Plus, Fantastic Fans and ShurFlo Fans

The **MAXXAIR II** Vent Cover can be safely installed over high-powered RV ventilator fans, however our **NEW FANMATE** fan cover is specifically designed for this application and allows higher air flow from your existing ventilator fan.

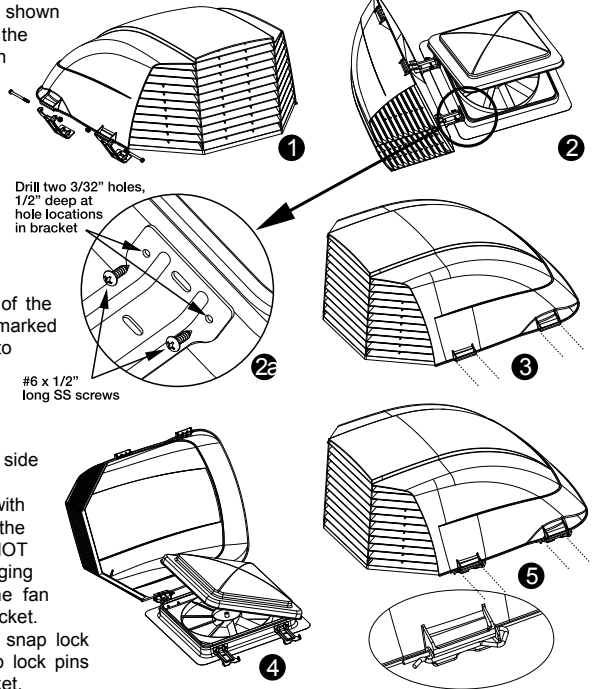
If you have limited space on your RV roof, the **MAXXAIR II** Vent Cover is a good choice to cover your high powered fan.

Follow the instructions to the right for installation over high powered fans. Use eight (8), #6 x 1/2" long Self-Tapping, Stainless Steel screws included in the hardware kit to complete this installation, you will not need to use the four (4), #8-32 x 1/2" screws, nuts & washers for this installation.

## TOOLS REQUIRED

POWER DRILL WITH 3/32" DRILL BIT,  
PHILLIPS HEAD SCREW DRIVER AND PENCIL

1. Based on your fan location, choose which side of the MAXXAIR II to install the hinged brackets. Install the hinged brackets to the MAXXAIR II as shown in Fig. 1. NOTE: If you are installing the MAXXAIR II over a MaxxFan Standard Fan simply remove the plastic plugs from the side walls of the MaxxFan and fasten the mounting brackets into the pre-drilled holes using the #6 x 1/2 inch screws provided
2. With the louvers facing the rear of the vehicle, slide the MAXXAIR II with the installed hinged brackets up to the side of your fan. Center the brackets front to back on the fan side wall. Mark both hole locations in the brackets onto the fan side wall. Move the MAXXAIR II out of the way. Drill a 3/32" hole at the center of the marked holes. DO NOT drill more than 1/2" deep to avoid damaging internal wiring. Attach the brackets to the fan using two (2) #6 x 1/2" long screws per bracket.
3. Close the MAXXAIR II and mark the location of the feet onto the roof on the side opposite the hinged brackets.
4. Open the MAXXAIR II. Line brackets up with marks on the roof. Drill a 3/32" hole at the center of both holes in the brackets. DO NOT drill more than 1/2" deep to avoid damaging internal wiring. Attach the brackets to the fan using two (2) #6 x 1/2" long screws per bracket.
5. Close the MAXXAIR II and slide the two snap lock pins into place as shown. Press the snap lock pins downward to lock into position on the bracket.

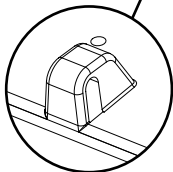
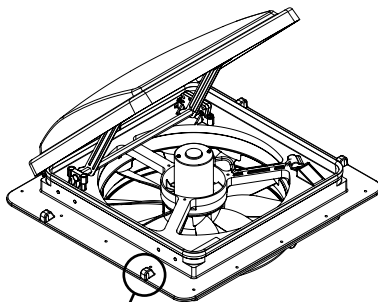


Note: If a small plastic button is in the way remove the screw and move it away from the bracket and reinstall.

Fan-Tastic Vent™ is a registered trademark of Fantastic Vent Corp.

## THE MAXXAIR® SOLUTION FOR RV VENTILATION

### MAXXFAN and MAXXFAN Plus with MOUNTING TABS



**INDUSTRY EXCLUSIVE MOUNTING TABS**

#### MAXXFAN AND MAXXFAN Plus MODELS

- ▶ BUILT-IN waterproof molded mounting tabs
- ▶ INDUSTRY EXCLUSIVE MOUNTING TABS allow for **FAST and TOOL FREE INSTALLATION** of optional MAXXAIR **FANMATE**® MODELS 755, 855, or 955 cover (sold separately).
- ▶ Twin lifting arms help prevent lid flutter in high winds or when driving.

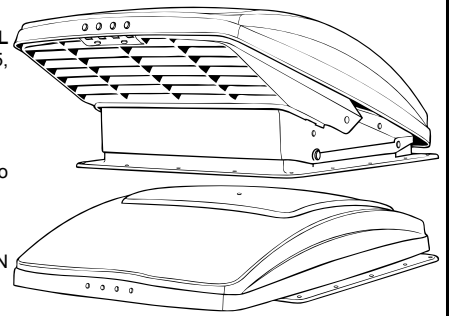
#### MAXXFAN Deluxe MODELS

- ▶ BUILT-IN RAIN SHIELD eliminates the need for any additional covers to protect your interior from rain!

#### ALL MODELS

- ▶ Remote control models include backup controls at ceiling - A MAXXFAN EXCLUSIVE!
- ▶ Operates with lid closed to circulate air (Ceiling Fan Mode)
- ▶ Flush Mounted, easy to clean keypad controls the fan speed, thermostat, air intake and exhaust
- ▶ Provides over 900 Cubic Feet of air per minute to keep you cool and comfortable
- ▶ Installs into all standard 14" x 14" RV roof openings
- ▶ 2 YEAR\* Limited WARRANTY with LIFETIME Limited WARRANTY\* on lid

### MAXXFAN Deluxe with BUILT-IN RAIN SHIELD



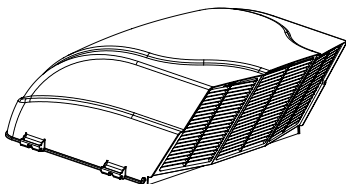
MAXXFANS are available in **MANUAL, ELECTRIC or REMOTE CONTROL** Opening Models

PLEASE VISIT AIRXCEL.COM FOR WARRANTY, MODEL INFORMATION AND SPECIFICATIONS \*Warranty limited to repair or replacement

## FANMATE® CEILING FAN VENT COVER

### FEATURING EZClip™ HARDWARE for QUICK, EASY and TOOL-FREE INSTALLATION

The **FANMATE**® simply fits over the built-in, waterproof mounting tabs on the **MAXXFAN**® and **MAXXFAN**® Plus. Simply slide the included clip through the tab to secure the **FANMATE**® cover. (Hardware with clips included for mounting on other fan models.)



- ▶ **SUPERIOR** rain protection
- ▶ **LESS** than 5% airflow restriction
- ▶ **UNIQUE** design allows for use on ANY high powered or non-powered vent
- ▶ **OPTIONAL** bug screen
- ▶ **FULL ACCESS** to the fan and optional bug screen courtesy of the **EZClip™**
- ▶ **6-YEAR** Limited WARRANTY \*Visit AIRXCEL.com for Details



## CALL YOUR DEALER FOR DETAILS

AIRXCEL, INC. - RV Products Division / MAXXAIR • 3050 N. St. Francis St. • Wichita, KS 67219 • 316-832-3400

P/N: 10A50109, REV. A, 11-2015