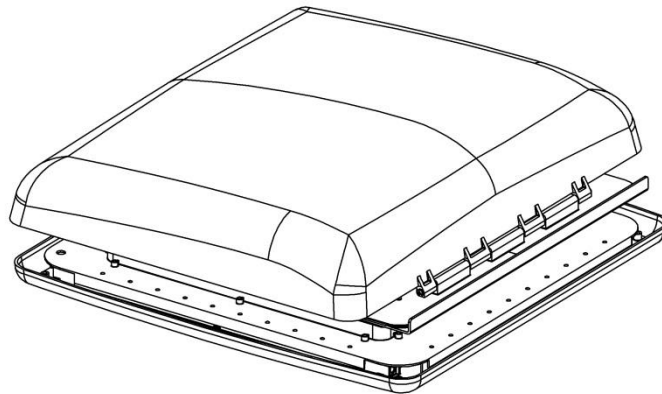




INSTALLATION, OPERATION AND MAINTENANCE INSTRUCTIONS FOR MAXxAIR® SKYMAXX 97500iA & 97510iA



READ AND SAVE THESE INSTRUCTIONS

NOTE: Refer to Installation Instructions, Information and Operation Guides regarding the model you have purchased.

The **SKYMAXX ROOFLIGHT** installs into a standard caravan roof opening of 400 mm x 400 mm (15.75 in. x 15.75 in.).

To determine if your roof opening is correctly sized, simply remove the interior ceiling garnish trim ring of your existing roof vent and measure the ceiling opening or verify the opening is large enough by sliding the Rooflight interior ceiling flange into the opening.

The Rooflight is designed for a minimum roof thickness 23 mm to 60 mm maximum (0.90 inches to 2.36 inches).

The LED lighted Rooflight requires a minimum 12 Volt DC, 2 amp service. Confirm that the circuit you intend to use will accommodate the additional load. Circuit must be fused and use appropriate gauge stranded wire for electrical connections.

NOTE: Wall Control for LED lights must be provided by installer.

NOTE: THE ROOFLIGHT MUST BE CLOSED PRIOR TO TRANSPORTING OR MOVING THE CARAVAN.

WARNING! TO REDUCE THE RISK OF FIRE, ELECTRIC SHOCK, OR INJURY TO PERSONS, OBSERVE THE FOLLOWING:

- Use this unit only in the manner intended by AIRXCEL, INC. If you have questions, contact the manufacturer.
- Before servicing or cleaning the unit, switch power off at service panel and lock the service disconnecting means to prevent power from being switched on accidentally. When the service disconnecting means cannot be locked, securely fasten a prominent warning device, such as a tag, to the service panel.

CAUTION! FOR GENERAL VENTILATION USE ONLY. DO NOT USE TO EXHAUST HAZARDOUS OR EXPLOSIVE MATERIALS OR VAPORS.



NOTICE! Risk of damage due to a build-up of heat between the shade and the cover.
In strong sunlight, only close the shade two thirds of the way.



This page intentionally left blank

INSTALLATION INSTRUCTIONS

STEP 1

Rooflight Model	Roof Opening
00-97500iA, 00-97510iA	400 mm x 400 mm

Refer to the above table for roof size opening. If you are replacing another type already installed, remove the old existing roof vent. Remove all old roof sealant for a minimum of 5 cm (2 inches) entirely around the roof opening.

STEP 2

Measure the thickness of the roof opening. NOTE: For curved roofs, measure the thickest part of the roof.

VEHICLE ROOF THICKNESS	LENGTH OF SCREW
23 – 40 mm	40 mm
40 – 60 mm	60 mm

STEP 3

Prior to installing the **SKYMAXX** ROOFLIGHT over the roof opening, apply a continuous strip of a flexible non-hardening sealing compound (e.g. SikaLastomer-710) to the underside of the flange in the grooved space.

CAUTION! When installing your **SKYMAXX** ROOFLIGHT, only use a caulking/sealant compatible with the flange (plastic product) and the roof surface. DO NOT use materials containing solvents such as or similar to Xylene, Toluene, Methyl Ethyl Ketone (MEK), Acetate or Acetone as they can damage the flange. Also, Polysulfide (Thiokol) type sealants must be avoided.

If in doubt, please contact the manufacturer of your caravan for further information.

STEP 4

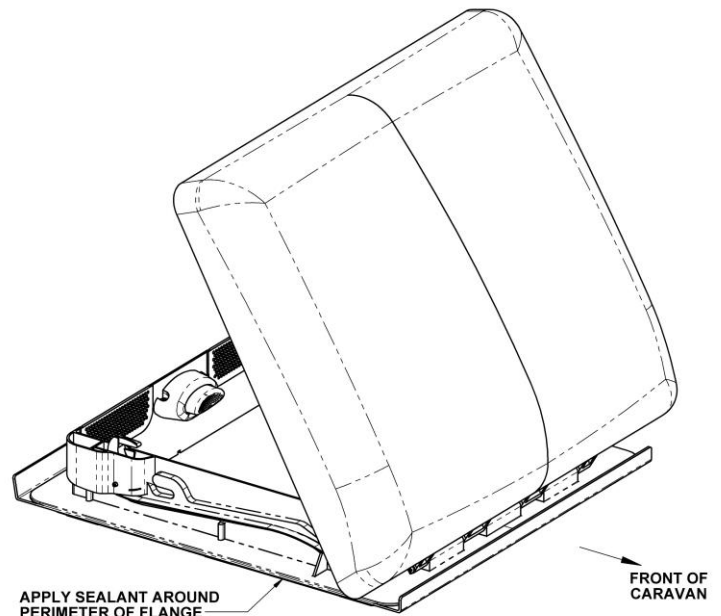
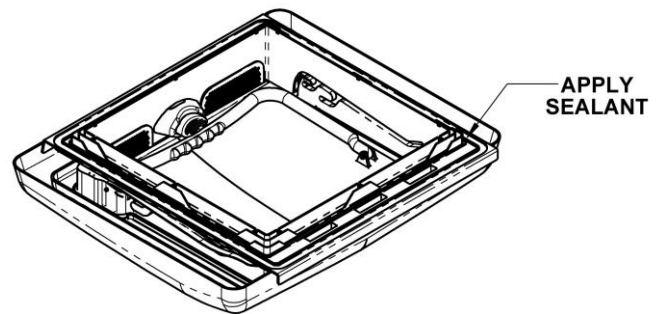
Insert the **SKYMAXX** ROOFLIGHT into the roof opening with the hinged section facing the front of the vehicle with the ceiling flange centered in the opening. Press down on the flange to compress the sealant to seal to the roof.

STEP 5

After the **SKYMAXX** ROOFLIGHT has been installed, remove the excess caulk that may have squeezed out. Using a sealer such as Dicor self-leveling lap sealant or similar caulking, apply a bead (approximately 5 mm dia.) along the outside edge of the flange all the way around the Rooflight.

THIS COMPLETES THE ROOF TOP PORTION OF THE INSTALLATION

Skip to page 4 for interior installation of SKYMAXX Plus



STEP 6

Insert the ceiling flange into the opening, lining up the flanges.

STEP 7

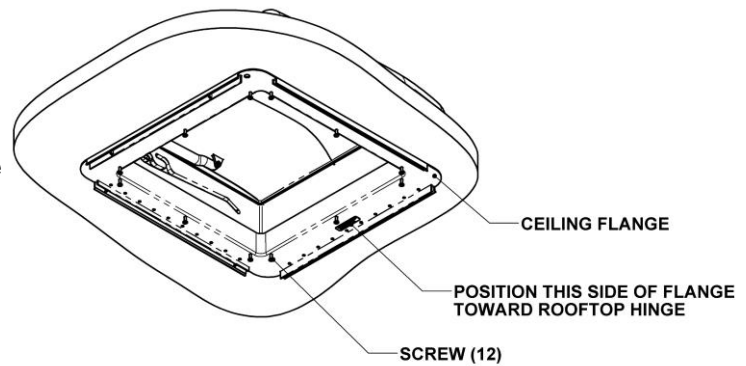
Referring to the screw lengths in the table of STEP 2, use the proper length screws depending on your roof thickness to secure the ceiling flange to the rooftop flange, taking care not to overtighten the screws to avoid cracking or deforming the ceiling flange and rooftop flange.

STEP 8

Optional: Install the screws to secure the ceiling flange to the caravan ceiling. If the ceiling flange does not lay flat to the ceiling, you may want to install screws to prevent gapping.

STEP 9

To assemble the Interior Shroud to the Ceiling Flange, line up the flanges with the channels on the Ceiling Flange. Secure in place by pressing firmly on the Interior Shroud. This ensures that the clips on the Interior Shroud will engage the channels on the ceiling flange to lock it in place.



This completes the installation of the MAXXAIR SKYMAXX ROOFLIGHT

OPERATION OF YOUR MAXXAIR SKYMAXX ROOFLIGHT

To open the Rooflight for ventilation, separate the screen and shade by moving the pull bars in opposite directions. Note: The screen/ shade opening and closing action is manual. Depress the button on the Rooflight frame to release the handle and raise the lid by using the handle. Raise the lid to the desired opening using the slots in the sides of the rooftop flange to position the lid. After securing the Rooflight in the desired position, pull the screen and shade together. The amount of screen versus shade can be adjusted to your preference.

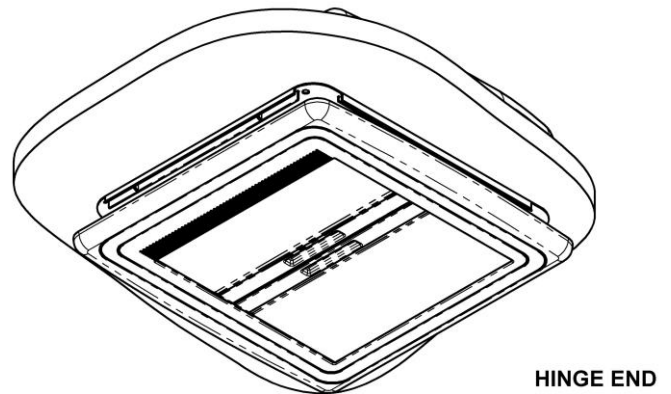
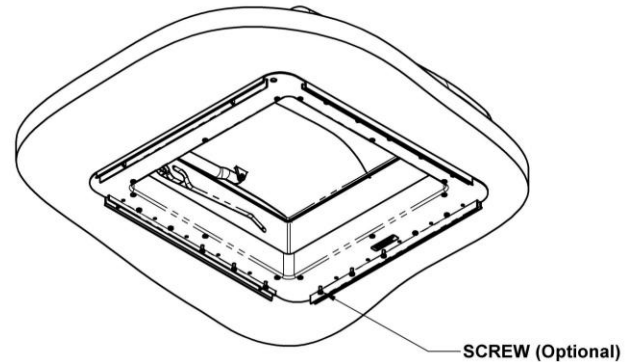
To close the **SKYMAXX** ROOFLIGHT, move the handle from the slot and pull the handle toward the open side of the Rooflight. Push the handle above the button which will lock the Rooflight lid closed.

NOTE: THE ROOFLIGHT MUST BE CLOSED PRIOR TO TRANSPORTING OR MOVING THE CARAVAN.

USER SERVICING INSTRUCTIONS

Cleaning of your **MAXXAIR SKYMAXX** ROOFLIGHT may be achieved with mild soap and water only. **DO NOT USE ABRASIVE CLOTH ON ROOFLIGHT COVER.**

It is advisable when the Rooflight is open to keep the screen and/or shade covering the Rooflight opening.



NON LIGHTED SKYLIGHT

FOR INSTALLATION OF SKYMAXX PLUS ROOFLIGHT

WARNING! TO REDUCE THE RISK OF FIRE, ELECTRIC SHOCK, OR INJURY TO PERSONS, OBSERVE THE FOLLOWING:

Installation work and electrical wiring must be done by qualified person(s) in accordance with all applicable codes and standards, including fire-rated construction.

CAUTION! Disconnect main vehicle power before connecting 12 volt DC power to the **MAXXAIR** ROOFLIGHT!

STEP 6

Insert the 12 volt DC power supply wires into the large diameter hole in the ceiling flange, allowing 4 to 6 inches of wire to hang out. Note: Red wire from the wall control and black wire from the negative terminal.

STEP 7

Insert the ceiling flange into the opening, lining up the flanges.

STEP 8

Referring to the screw lengths in the table of STEP 2, use the proper length screws depending on your roof thickness to secure the ceiling flange to the rooftop flange, taking care not to overtighten the screws to avoid cracking or deforming the ceiling flange and rooftop flange.

STEP 9

Optional: Install the screws to secure the ceiling flange to the caravan ceiling. If the ceiling flange does not lay flat to the ceiling, you may want to install screws to prevent gapping.

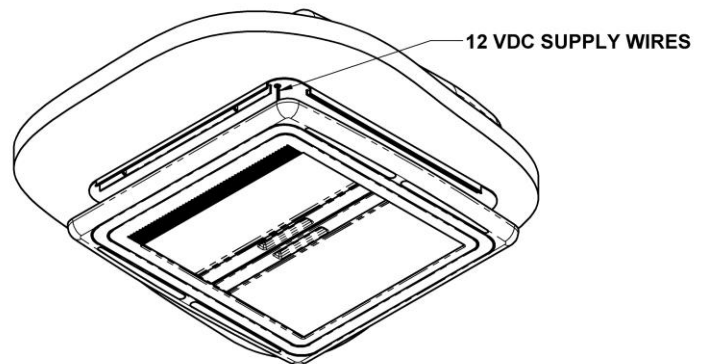
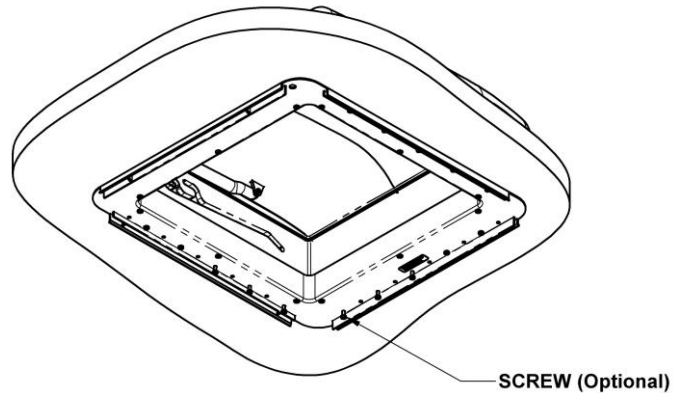
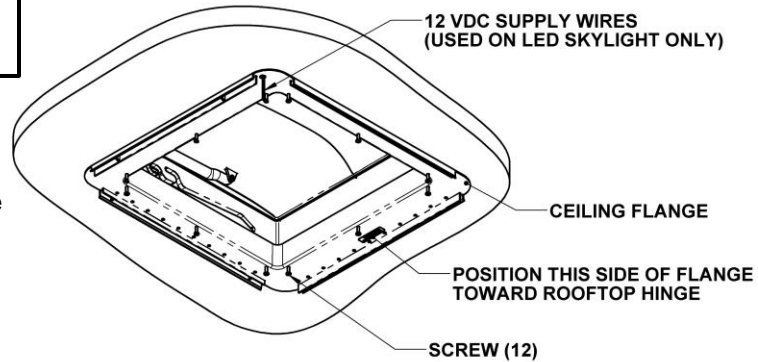
STEP 10

Using the supplied wire splices, connect the 12 volt DC power supply wires to the LED light wires. Red wire from the wall control to the red wire (pos) on the LED lights, and the black wire from the negative terminal.

STEP 11

To assemble the Interior Shroud to the Ceiling Flange, line up the flanges with the channels on the Ceiling Flange. Make sure the power wires slide to the inside of the interior assembly and do not become pinched or entangled. Secure in place by pressing firmly on the Interior Shroud. This ensures that the clips on the Interior Shroud will engage the channels on the ceiling flange to lock it in place.

This completes the installation of the MAXXAIR SKYMAXX Plus ROOFLIGHT.



LIGHTED SKYLIGHT

OPERATION OF YOUR MAXXAIR SKYMAXX ROOFLIGHT

To open the Rooflight for ventilation, separate the screen and shade by moving the pull bars in opposite directions. Note: The screen/ shade opening and closing action is manual. Depress the button on the Rooflight frame to release the handle and raise the lid by using the handle. Raise the lid to the desired opening using the slots in the sides of the rooftop flange to position the lid. After securing the Rooflight in the desired position, pull the screen and shade together. The amount of screen versus shade can be adjusted to your preference.

To close the SKYMAXX ROOFLIGHT, move the handle from the slot and pull the handle toward the open side of the Rooflight. Push the handle above the button which will lock the Rooflight lid closed.

If passive ventilation is not needed, the vent inserts can be changed out with the blank inserts in the hardware package.

If additional ventilation is needed, the vent inserts can be changed out with the screen inserts included in the hardware package.

SKYMAXX Plus ROOFLIGHT

The LED lights are controlled by a wall control.

NOTE: THE ROOFLIGHT MUST BE CLOSED PRIOR TO TRANSPORTING OR MOVING THE CARAVAN.

USER SERVICING INSTRUCTIONS

Cleaning of your MAXXAIR SKYMAXX ROOFLIGHT may be achieved with mild soap and water only. **DO NOT USE ABRASIVE CLOTH ON ROOFLIGHT COVER.**

It is advisable when the Rooflight is open to keep the screen and/or shade covering the Rooflight opening.

Should you have questions, please visit www.Airxcel.com or contact your AIRXCEL/MAXXAIR distributor.

For WARRANTY INFORMATION on products purchased in Australia or New Zealand, please visit

www.coastrv.com.au • www.coastrv.co.nz

This page intentionally left blank



PLACE CONSUMER LABEL HERE

For additional product information please visit www.AIRXCEL.com

AIRXCEL, INC. - RV Products Division / MAXXAIR
3050 N. St. Francis St. • Wichita, KS 67219 • 316.832.3400

