



**MAXXAIR 2400
DATA INQUIRY SHEET
441X1-656*
INTERNATIONAL HEAT PUMP**

Cooling Capacity ¹	2.4 kw
Electrical Rating	240 VAC, 50 HZ, 1 Phase
Cooling Full Load AMP's at A.H.R.I. Standard Condition, 26.7°C Indoor, 35°C Outdoor	Compressor 3.20 I.D. Motor Low – 0.45 Med. – 0.48 High – 0.50 O.D. Motor Low – 0.50 High – 0.60
Running Watts (cooling) A.H.R.I. Standard Condition	890
Running Watts (cooling) Desert Condition ² 37.8°C Indoor, 48.9°C Outdoor	1040
Compressor Locked Rotor Amps	20
Metering Device	Bi-Flow Restrictor
Refrigerant Charge – R-410A	553 Grams
Evaporator Air Delivery (High Speed)	118 L/S
Generator Size	See "Generators" Below
Unit Weight - includes ceiling assembly	38.4 Kg
Use time delay fuse or circuit breaker Max. rated 10 Amps, Use min. 14 AWG copper supply wires. Use time delay fuse or circuit breaker Min. rated 10 Amps, Use min. 14 AWG copper supply wires.	

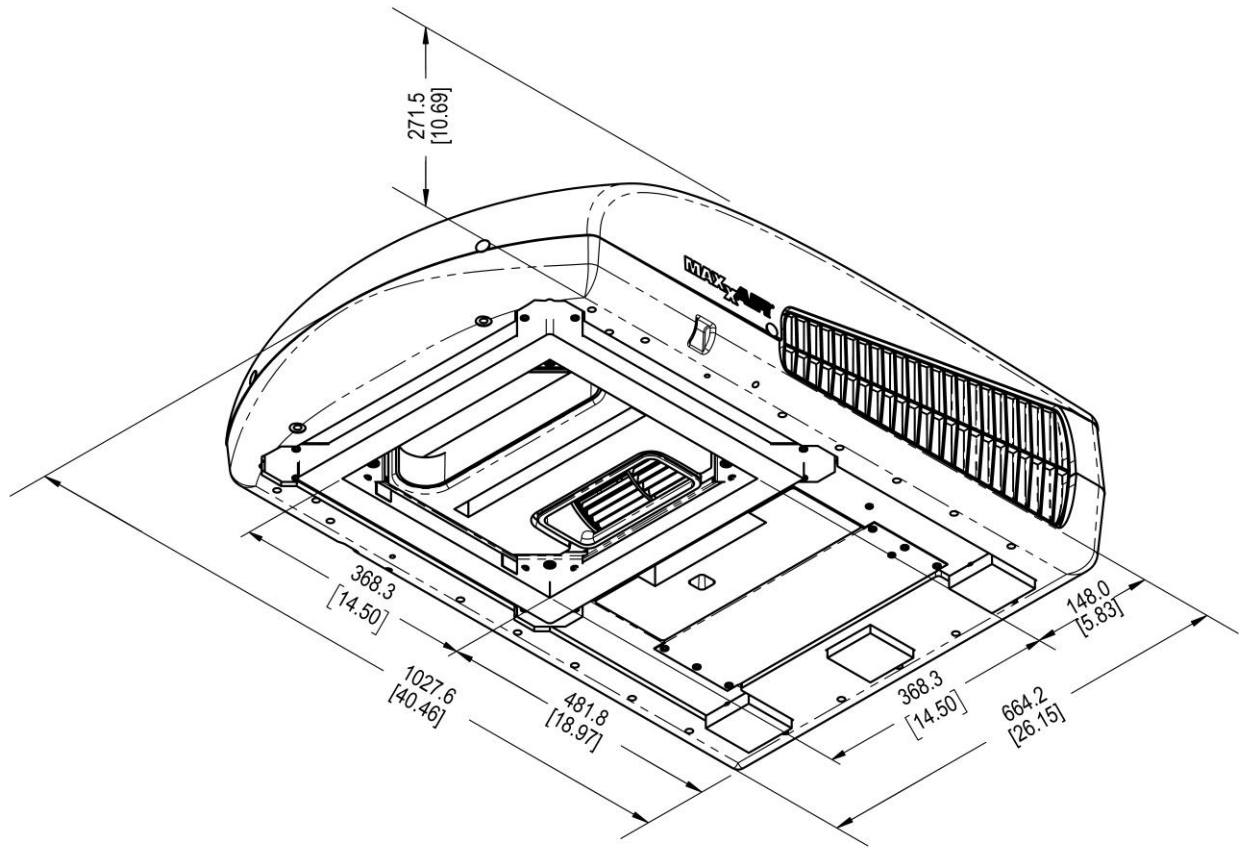
GENERATORS:

It is not the policy of Airxcel, Inc. to size generators for application in Recreation Vehicles or related structures. However, when sizing generators, the total electrical power consumption in Watts must be determined and taken into consideration, such as:

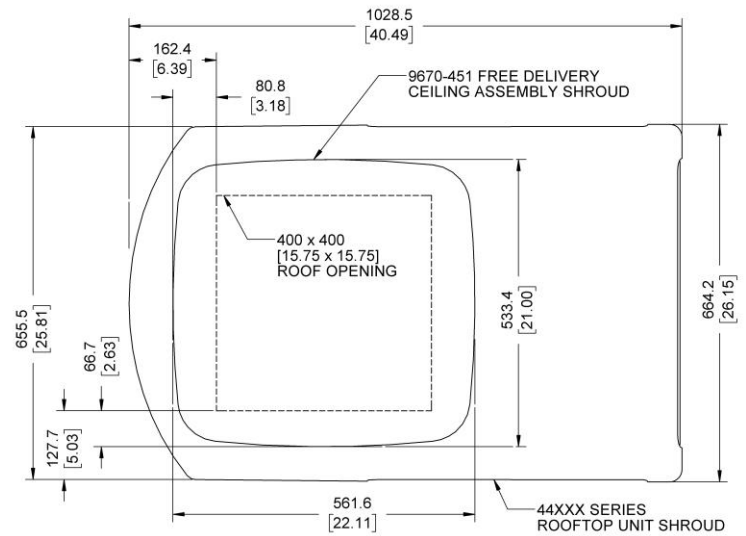
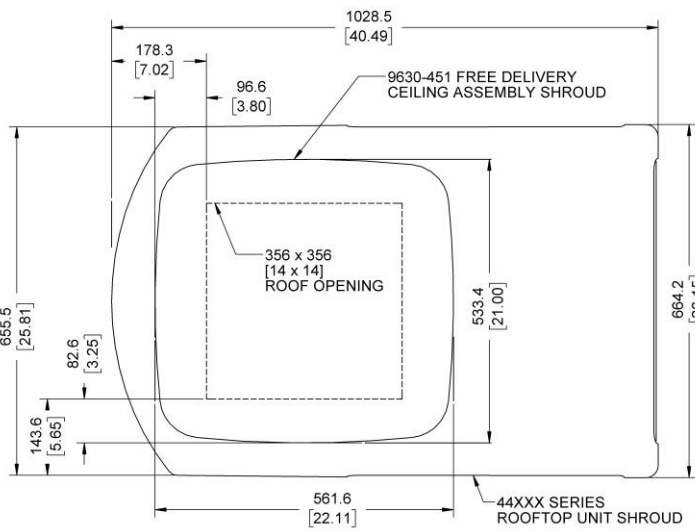
- A. Maximum running watts of the air conditioner at Airxcel, Inc. Desert Test (See Specifications).
² Desert Conditions 100°F/72°F (37.8°C/22.2°C) Indoor (DB/WB); 120°F (48.8°C) Outdoor.
- B. Power consumption of electronic ovens, toasters, coffeemakers, television sets, refrigerators, lights, etc.
- C. Generators do lose capacity under the following conditions: (1) Altitude increases above sea level, (2) Temperature increases above certain outdoor design temperatures, and (3) Lack of maintenance.

**Airxcel Inc.
RV Products Division
P.O. Box 4020
Wichita, KS 67204**

ROOF TOP UNIT DIMENSIONS



CEILING SHROUD DIMENSIONS



CEILING SHROUD DIMENSIONS

DIMENSIONS (mm/inches)		
Exterior Shroud	Height	271.5 / 10.69
	Width	664.2 / 26.15
	Length	1,028.5 / 40.49
Interior Shroud	Depth	51 / 2.0
	Width	533 / 21.00
	Length	562 / 22.11

UNIT PROFILE

