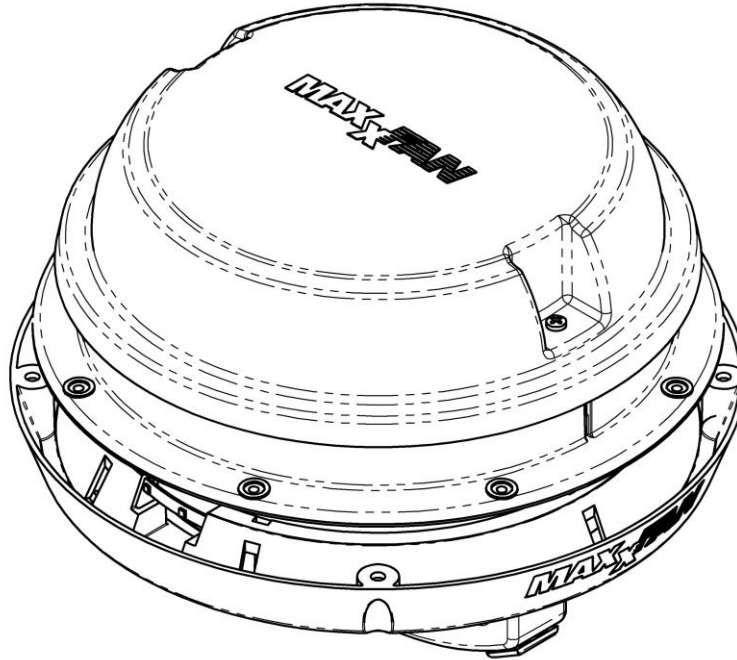


MAXXAIR®

REPAIR PARTS LIST FOR MAXXFAN DOME, MAXXFAN DOME Plus Models: 3810B, 3810W, 3812B, 3812W, 3813B, 3813W



WARRANTY INFORMATION

Please have the **MODEL NUMBER & SERIAL NUMBER** of your **MAXXFAN DOME** available **when calling for parts and service**. The model number and serial number are on the back page of the Installation/Operation Manual. The model number is also on the fan base which is viewable by removing the screen assembly.

For technical assistance, repair parts or warranty claim assistance concerning your **MAXXAIR MAXXFAN DOME**, please contact us at 316.832.3400 or email us at rvpsupport@airxcel.com.

For Full **WARRANTY** Terms and Conditions on products purchased in Australia or New Zealand, please visit www.coastrv.com.au or www.coastrv.nz.

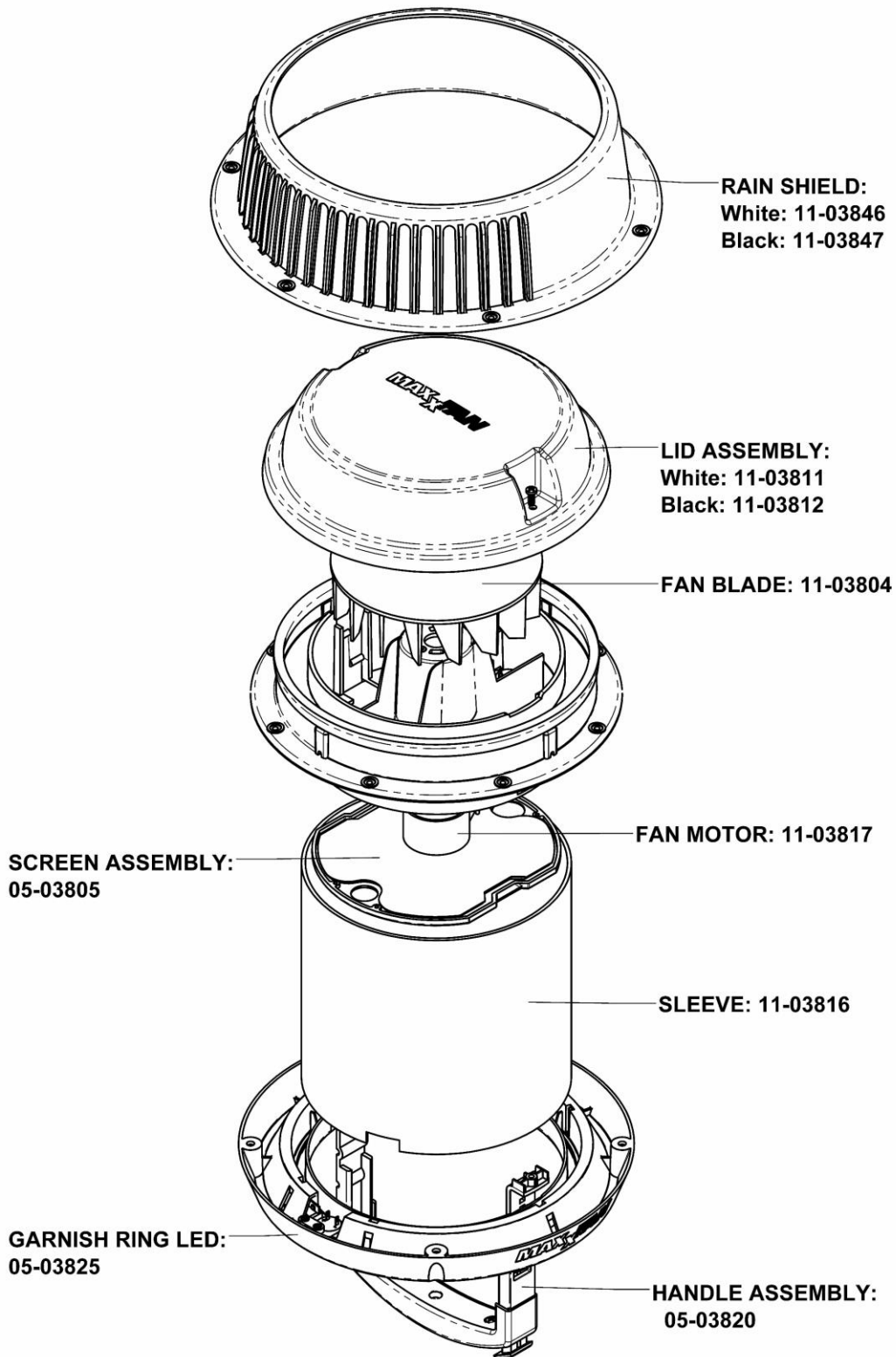
For Full **WARRANTY** terms and conditions, please visit AIRXCEL.com.

WARNING! To reduce risk of fire, injury to persons or damage to property, use only in the manner intended by **AIRXCEL, INC.** Should you have questions, please contact **AIRXCEL/MAXXAIR** Customer Service at rvpsupport@airxcel.com.



An **AIRXCEL** Brand

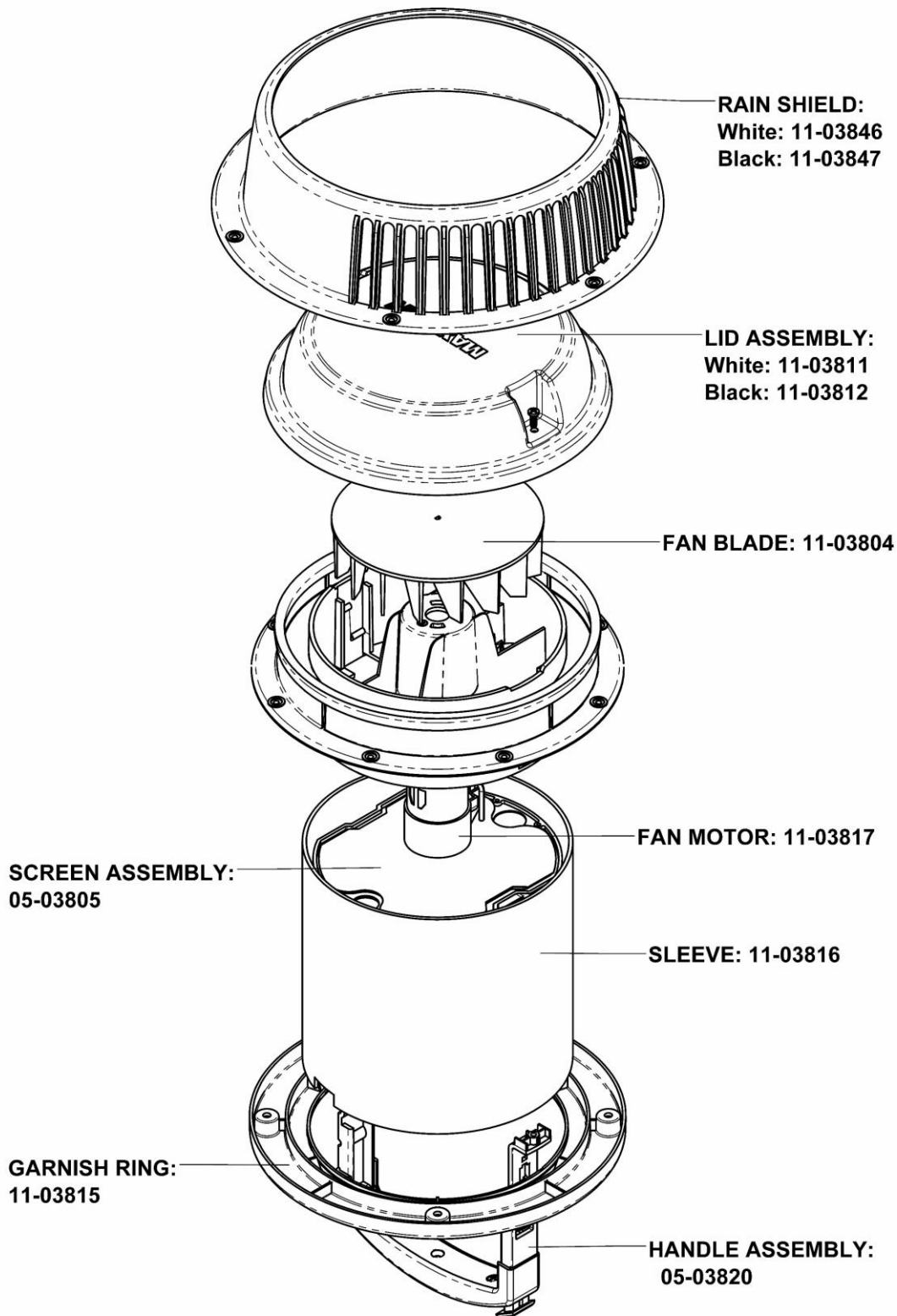
REPAIR PARTS LIST
FOR MAXXFAN DOME Plus
MODELS: 3810B, 3810W



Not Shown

Small Parts Package 05-03810

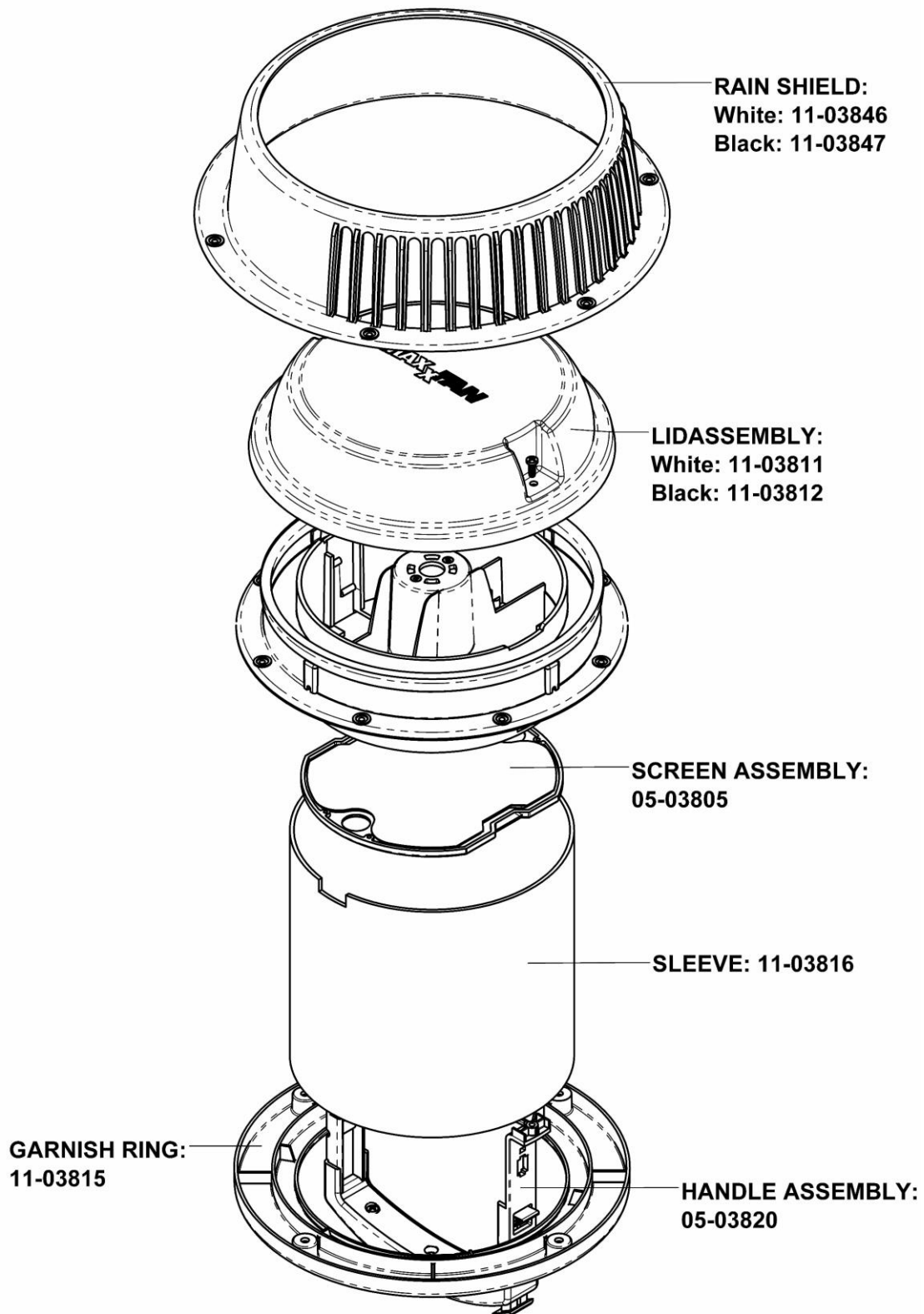
**REPAIR PARTS LIST
FOR MAXXFAN DOME
MODELS: 3812B, 3812W**



Not Shown

Small Parts Package 05-03812

**REPAIR PARTS LIST
FOR MAXXFAN DOME
MODELS: 3813B, 3813W**



Not Shown

Small Parts Package 05-03812