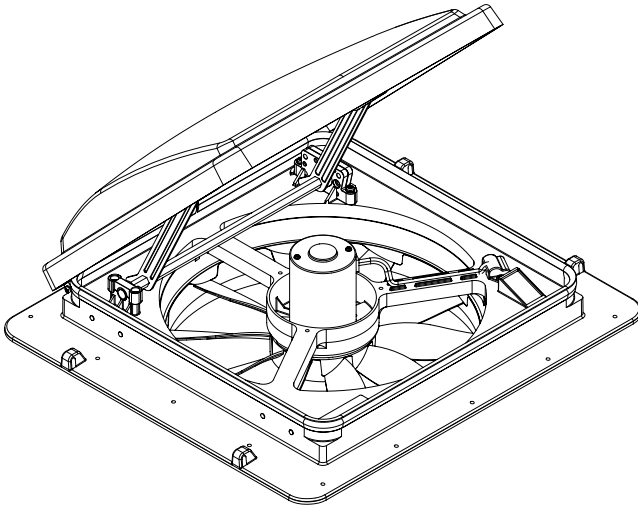


MAXXFAN®

REPAIR PARTS LIST

FOR ALL MAXXFAN® and MAXXFAN® Plus
KEY PAD MODELS 4000K through 4951K
KEY PAD/NETWORK MODELS 4700N and 4900N
GATEWAY MODELS 4700G and 4900G
DIAGNOSTIC MODELS 4700D and 4900D



WARRANTY INFORMATION

Please have the **SERIAL NUMBER** of your MAXXFAN available when calling for parts and service. To locate your serial number, please refer to the figures on pages 3 and 4 for serial number locations.

For technical assistance, repair parts or warranty claim assistance concerning your MAXXFAN or MAXXFAN Plus, please contact us at 316.832.3400

For full WARRANTY terms and conditions, please visit www.AIRXCEL.com.

WARNING! To reduce risk of fire, injury to persons or damage to property, use only in the manner intended by AIRXCEL, INC. Should you have questions, please contact AIRXCEL/MAXXAIR VENTILATION SOLUTIONS Customer Service at 316.832.3400.

MAXxAIR

An AIRXCEL Brand

3050 N. St. Francis St.
Wichita, KS 67219
316-832-3400
www.airxcel.com/maxxair

REPAIR PARTS LIST

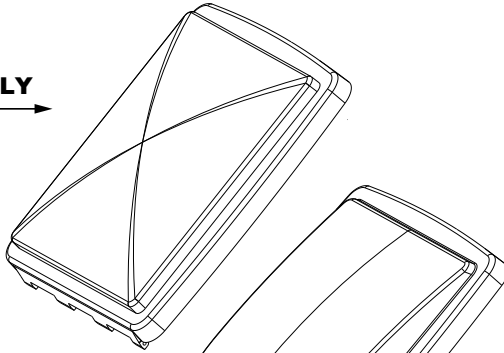
FOR ALL MAXXFAN® and MAXXFAN® Plus

KEY PAD MODELS 4000K through 4951K

and KEY PAD/NETWORK MODELS 4700N and 4900N

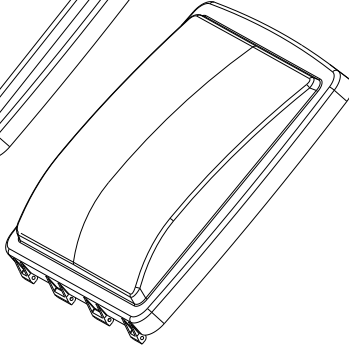
MAXXFAN LID ASSEMBLY

White: 10A40002K
Smoke: 10A40009K



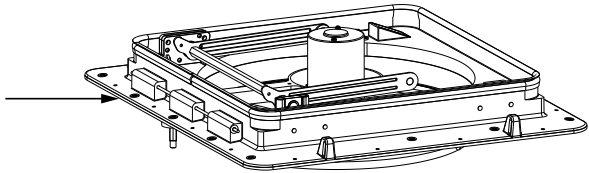
MAXXFAN PLUS LID ASSEMBLY

White: 12-00056
Smoke: 12-00057
Clear: 12-00075
Tint: 12-00076



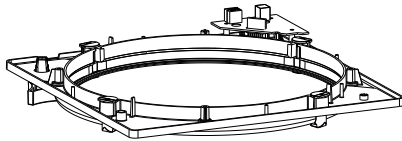
BASE ASSEMBLY

See Page 4 for detailed parts breakdown



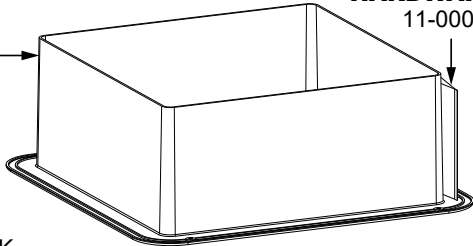
CONTROL PLATE ASSEMBLY

See Page 3 for detailed parts breakdown



GARNISH RING INTERIOR

Black: 10-20209
Beige: 10-20211-B-5.3
White: 10-20211-5.3



HARDWARE KIT

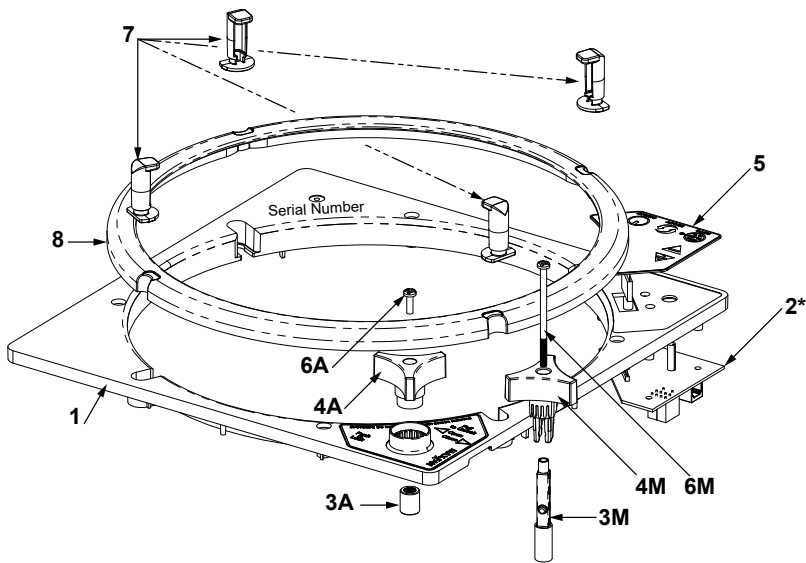
11-00060



HANDHELD REMOTE

Exhaust Only: 00A01151K
Intake/Exhaust: 00A01150K

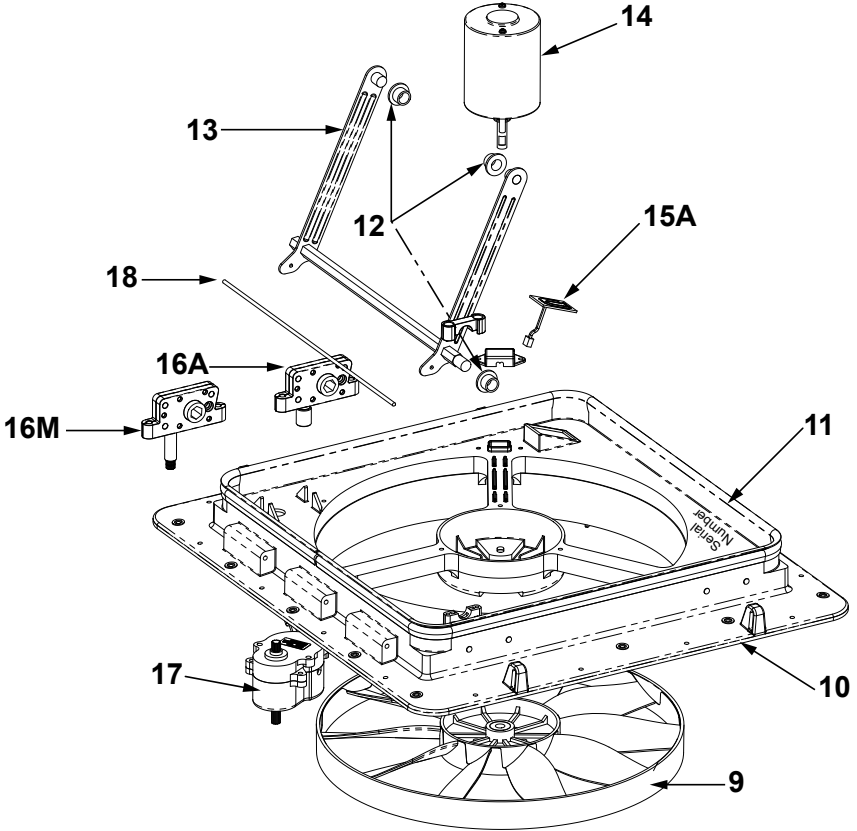
CONTROL PLATE ASSEMBLY



CODE	USED ON MODELS	PART NUMBER	DESCRIPTION	NO. REQ.
1	All	05-20226K	Control Plate	1
2M*	4000K, 4050K	10B21276K	Printed Circuit Board	1
	4001K	10B21276KE		
	4002K	10B21274K		
	4201KW, 4251KW, 4301K, 4401K	10B04301K		
2A*	4301KJ, 4401KJ	10B04301KJ	Printed Circuit Board	1
	4500K, 4700K, 4800K, 4900K	10B21275K		
	4501K, 4541K, 4801K	10B21275KE		
	4751KS, 4761KS, 4951KS, 4951KSC	10B04751KS		
2*	74751KS, 74951KS	10-74751KS	Printed Circuit Board	1
	4700N, 4900N	10-21275N		
	4700G, 4900G	10-21275G		
3M	4700D, 4900D	10-21275D	Locking Knob Shaft	1
	4000K – 4401K	10-21232K		
3A	4500K – 4900K, 4700D, 4900D	10-20277	Lift Motor Coupler	1
	4700N, 4900N, 4700G, 4900G			
4M	4000K – 4401K	05-21236K	Locking Knob	1
4A	4500K – 4900K, 4700D, 4900D	10-20223	Knob, 3 Wing	1
	4700N, 4900N, 4700G, 4900G			
5	4000K, 4002K, 4050K	10-21299K	Keypad	1
	4001K	10-21300K	Keypad	1
	4301K, 4301KJ, 4401K, 4401KJ, 4201KW, 4251KW	10-43010K	Keypad	1
	4500K, 4800K	10-40005K		
	4501K, 4541K, 4801K	10-40006K		
	4761KS	10-21306K		
4700CN, 4700G, 4900G, 4700D, 4900D, 4700N, 4900N, 4700CN, 4751KS, 4951KS, 4951KSC, 74951KS, 74751KS	10-40209	Keypad, Blank Label w/ IR	1	
4700K, 4900K	11-0001K	Keypad, Blank Label w/ IR	1	
6M	4000K – 4401K	10-21241K	Locking Knob Screw	1
6A	4500K – 4900K, 4700D, 4900D	10-20265K	Knob Screw, 3 Wing	1
	4700N, 4900N, 4700G, 4900G			
7	All	05-21233	Finger, Screen	4
8	All	05-30925	Round Interior Screen	1
ns	4000K, 4001K, 4050K, 4500K, 4501K, 4541K, 4700K, 4800K, 4801K, 4900K, 4700G, 4900G, 4002K, 4700D, 4900D	10-40001K	Thermistor	1

NOTE: M = Manual Opening Models | A = Automatic (Remote) Opening Models | ns = Not Shown

BASE ASSEMBLY DETAIL



CODE	USED ON MODELS	PART NUMBER	DESCRIPTION	NO. REQ.
9	All	10-20258KS	Fan Blade	1
10	All	10A40012K	Base**	1
11	All	10-20233K	Rubber Seal	1
12	All	10-20287	Bushing	3
13	All	10-20222KS	Lifter Arm	1
14	All	10-20968	Fan Motor*	1
15A	4500K-4900K, 4700D, 4900D, 4700G, 4900G, 4700N, 4900N	10-40007K	Rain Sensor	1
16M	4000K – 4401K	10A20281K-3CF	Operator Mechanism, Manual Lift	1
16A	4500K-4900K, 4700D, 4900D, 4700G, 4900G, 4700N, 4900N	10A20281K-1AF	Operator Mechanism, Automatic Lift	1
17A	4500K-4900K, 4700D, 4900D, 4700G, 4900G, 4700N, 4900N	10-20270	Lift Motor	1
18	All	10-40003K	Lid Hinge Pin	1

NOTE: M = Manual Opening Models | A = Automatic (Remote) Opening Models

*K Model Fans manufactured before FEB 2012 will use 10-20966 Motor.

All units manufactured after FEB 2012 will use 10-20968 Motor.

**NOT AVAILABLE FOR REPLACEMENT. Only option available is to replace the product.