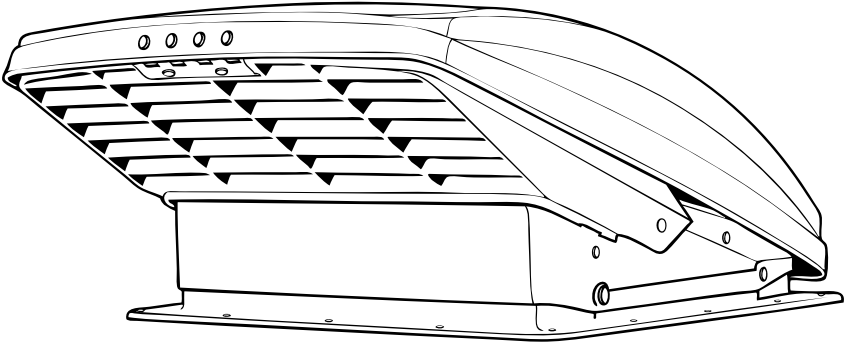


MAXXFAN®

REPAIR PARTS LIST

FOR ALL MAXXFAN® Deluxe

KEY PAD MODELS 5100K *through* 8951K
and KEY PAD/NETWORK MODELS 8700N *and* 8900N



WARRANTY INFORMATION

Please have the **SERIAL NUMBER** of your MAXXFAN Deluxe available when calling for parts and service. To locate your serial number, please refer to the figure on page 3 for serial number location.

For technical assistance, repair parts or warranty claim assistance concerning your MAXXFAN Deluxe, please contact us at 316.832.3400

For full WARRANTY terms and conditions, please visit www.AIRXCEL.com.

WARNING! To reduce risk of fire, injury to persons or damage to property, use only in the manner intended by AIRXCEL, INC. Should you have questions, please contact AIRXCEL/MAXXAIR VENTILATION SOLUTIONS Customer Service at 316.832.3400.



AIRXCEL, INC. - RV Products Division / MAXXAIR

3050 N. St. Francis St. • Wichita, KS 67219 • 316-832-3400 • www.Airxcel.com

REPAIR PARTS LIST

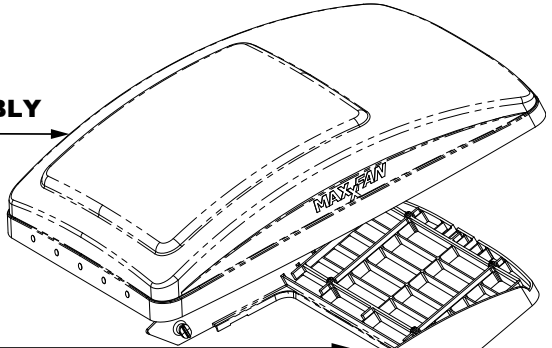
FOR ALL MAXXFAN® Deluxe

KEY PAD MODELS 5100K *through* 8951K

and KEY PAD/NETWORK MODELS 8700N *and* 8900N

MAXXFAN DELUXE LID ASSEMBLY

White: 05-30510
Smoke: 05-30520
Tint: 05-30522



RAIN SHIELD ASSEMBLY

10-20204

VENT FRAME ASSEMBLY

See Page 4 for detailed parts breakdown

CONTROL PLATE ASSEMBLY

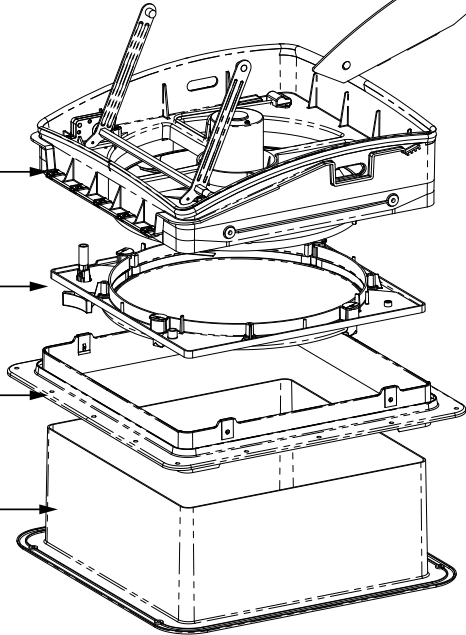
See Page 3 for detailed parts breakdown

ROOF FLANGE ASSEMBLY

10-20210K

GARNISH RING INTERIOR

Black: 10-20209
Beige: 10-20211-B-5.3
White: 10-20211-5.3



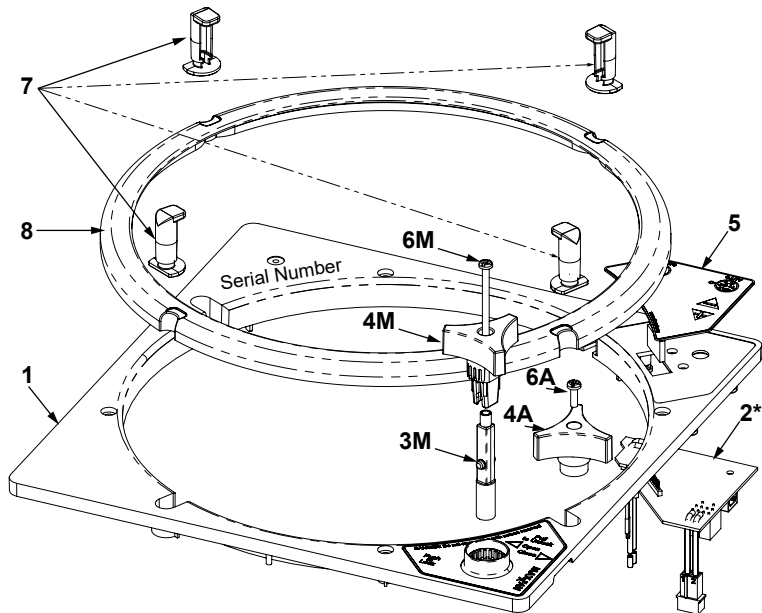
HANDHELD REMOTE

Exhaust Only: 00A01151K
Intake/Exhaust: 00A01150K

HARDWARE KIT

11-00051 • Not Shown

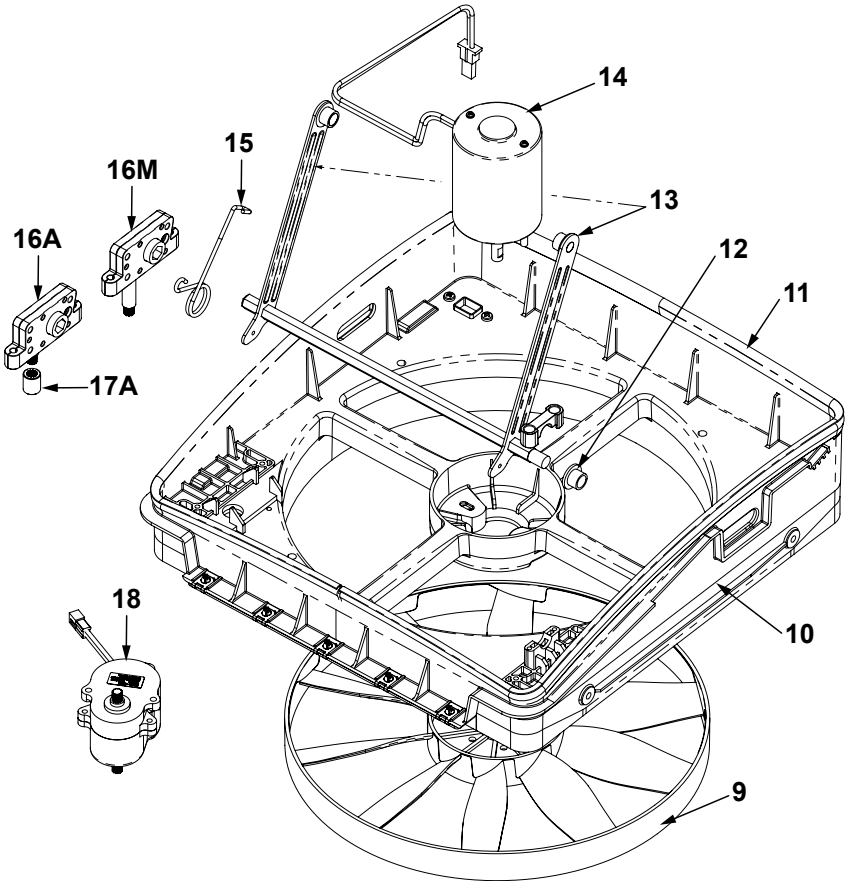
CONTROL PLATE ASSEMBLY



CODE	USED ON MODELS	PART NUMBER	DESCRIPTION	NUMBER REQUIRED
1	All	05-20226K	Control Plate	1
2M*	5301K, 6401K	10-04301K-V1.6	Printed Circuit Board	1
	5100K, 6200K	10-21276K-V3.9	Printed Circuit Board	1
	5101K, 6201K	10-21276KE	Printed Circuit Board	1
2A*	7000K, 7500K, 8000K, 8500K, 8700K, 8900K	10-21275K-V3.9	Printed Circuit Board	1
	7001K, 7501K, 8001K, 8501K	10-21275KE	Printed Circuit Board	1
	8751K, 8951K	10-04751K	Printed Circuit Board	1
	8700N, 8900N	10-21275NZ	Printed Circuit Board	1
3M	5100K – 6201K	10-21232K	Locking Knob Shaft	1
4M	5100K – 6201K	05-21236K	Locking Knob	1
4A	7000K – 8951K, 8700N, 8900N	10-20223	Knob, 3 Wing	1
5	5100K, 6200K	10-21299K	Keypad	1
	5101K, 6201K	10-21300K	Keypad	1
	5301K, 6401K	10-43010K	Keypad	1
	7000K, 7500K, 8000K, 8500K	10-21304K	Keypad	1
	7001K, 7501K, 8001K, 8501K	10-21305K	Keypad	1
	8751K, 8951K, 8700N, 8900N	10-40209	Keypad, Blank Label Without IR Bubble	1
	8700K, 8900K	11-00001K	Keypad, Blank Label With IR Bubble	1
6M	5100K – 6401K	10-21241K	Locking Knob Screw	1
6A	7000K – 8951K, 8700N, 8900N	10-20265K	Knob Screw, 3 Wing	1
7	All	05-21233	Finger, Screen	4
8	All	05-30925	Round Interior Screen	1

NOTE: M = Manual Opening Models | A = Automatic (Remote) Opening Models

VENT FRAME ASSEMBLY DETAIL



CODE	USED ON MODELS	PART NUMBER	DESCRIPTION	NUMBER REQUIRED
9	All	10-20258KS	Fan Blade	1
10	All	10-21217K	Vent Frame**	1
11	All	10-20233	Rubber Seal	1
12	All	10-20287	Bushing	3
13	All	10-20222KS	Lifter Arm (Hexagon)	1
14	All	10-20968	Fan Motor*	1
15	All	10-20243K	Lid Spring	1
16M	5100K – 6401K	10-20281K-3CF	Operator Mechanism, Manual Lift	1
16A	7000K – 8951K, 8700N, 8900K	10-20281K-1AF	Operator Mechanism, Automatic Lift	1
17A	7000K – 8951K, 8700N, 8900K	10-20277	Lift Motor Coupler	1
18	7000K – 8951K, 8700N, 8900K	10-20270	Lift Motor	1

NOTE: M = Manual Opening Models | A = Automatic (Remote) Opening Models

*K Model Fans manufactured before FEB 2012 will use 10-20966 Motor.

All units manufactured after FEB 2012 will use 10-20968 Motor.

**10-21217K - THIS PART NO LONGER AVAILABLE. Only option available is to replace the product.