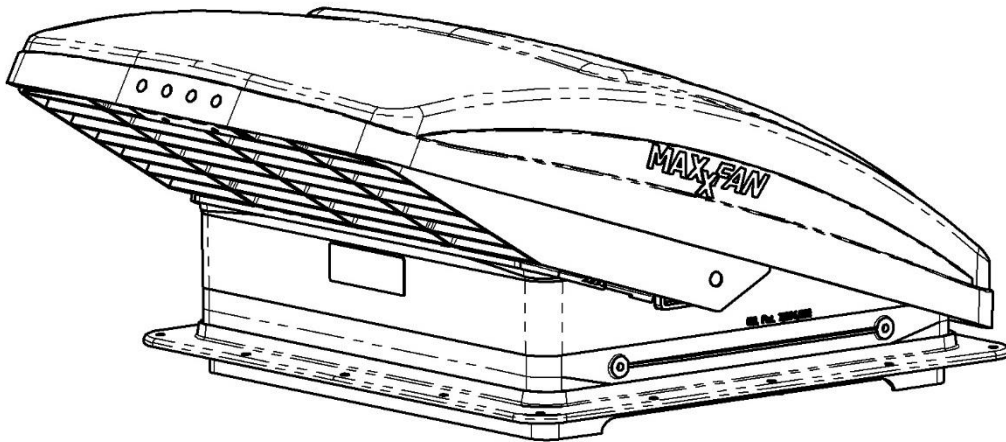


MAXXFAN®

REPAIR PARTS LIST

**FOR MAXXFAN® Deluxe International
MODELS 5100KI(A), 6200KI(T), 7000KI(A), 7500KI(T),
5100KI40, 6200KI40(T), 7000KI40(B), 7500KI40(B,T,TB)**



WARRANTY INFORMATION

Please has the SERIAL NUMBER of your MAXXFAN Deluxe available when calling for parts and service. To locate your serial number, please refer to the figure on page 3 for serial number location.

For technical assistance, repair parts or warranty claim assistance concerning your MAXXFAN Deluxe, please contact us at 316.832.3400.

For full WARRANTY terms and conditions, please visit www.AIRXCEL.com.

PLEASE NOTE: For full WARRANTY terms and conditions on products purchased in Australia or New Zealand, please visit www.coastrv.com.au or www.coastrv.co.nz.

For products purchased outside of the US, Australia or New Zealand, please contact your local AIRXCEL, INC. distributor.

WARNING! To reduce the risk of fire, injury to persons or damage to property, use only in the manner intended by AIRXCEL, INC. Should you have questions, please contact AIRXCEL/MAXXAIR VENTILATION SOLUTIONS Customer Service at 316.832.3400.

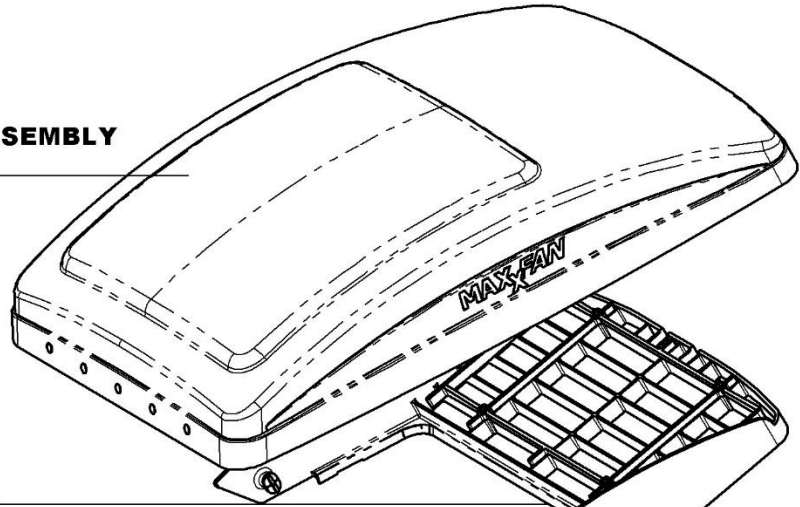


AIRXCEL, INC. – RV Products Division / MAXXAIR

REPAIR PARTS LIST
FOR MAXXFAN Deluxe International
MODELS 5100KI(A), 6200KI(T), 7000KI(A), 7500KI(T),
5100KI40, 6200KI40(T), 7000KI40(B),7500KI40(B,T,TB)

MAXXFAN DELUXE LID ASSEMBLY

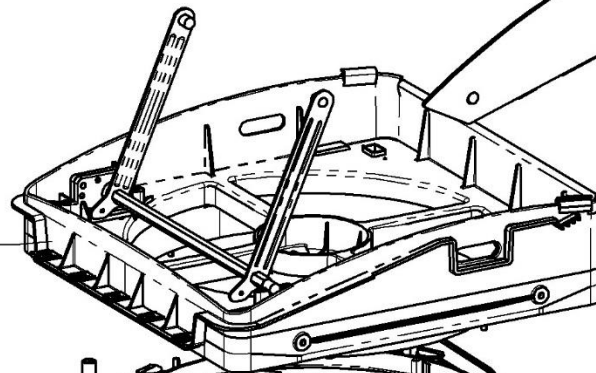
White: 05-30510
Smoke: 05-30520
Tint: 05-30522



RAIN SHIELD ASSEMBLY
10-20204

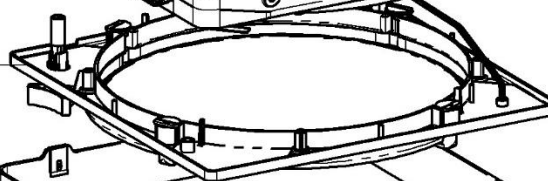
VENT FRAME ASSEMBLY

See Page 4 for detailed
parts breakdown



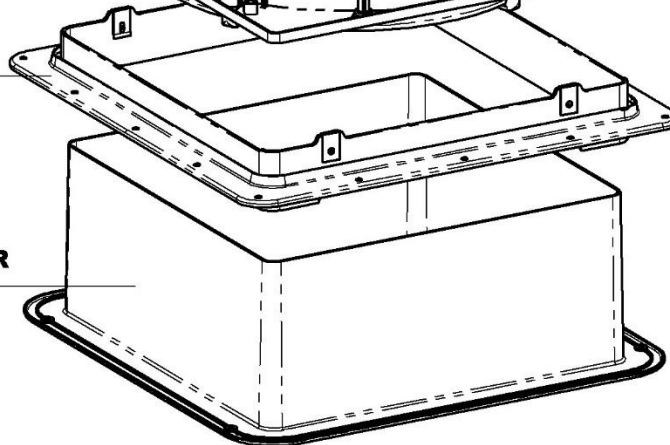
CONTROL PLATE ASSEMBLY

See Page 3 for detailed
parts breakdown



ROOF FLANGE ASSEMBLY

10-20210K
10-20210K-40



GARNISH RING INTERIOR

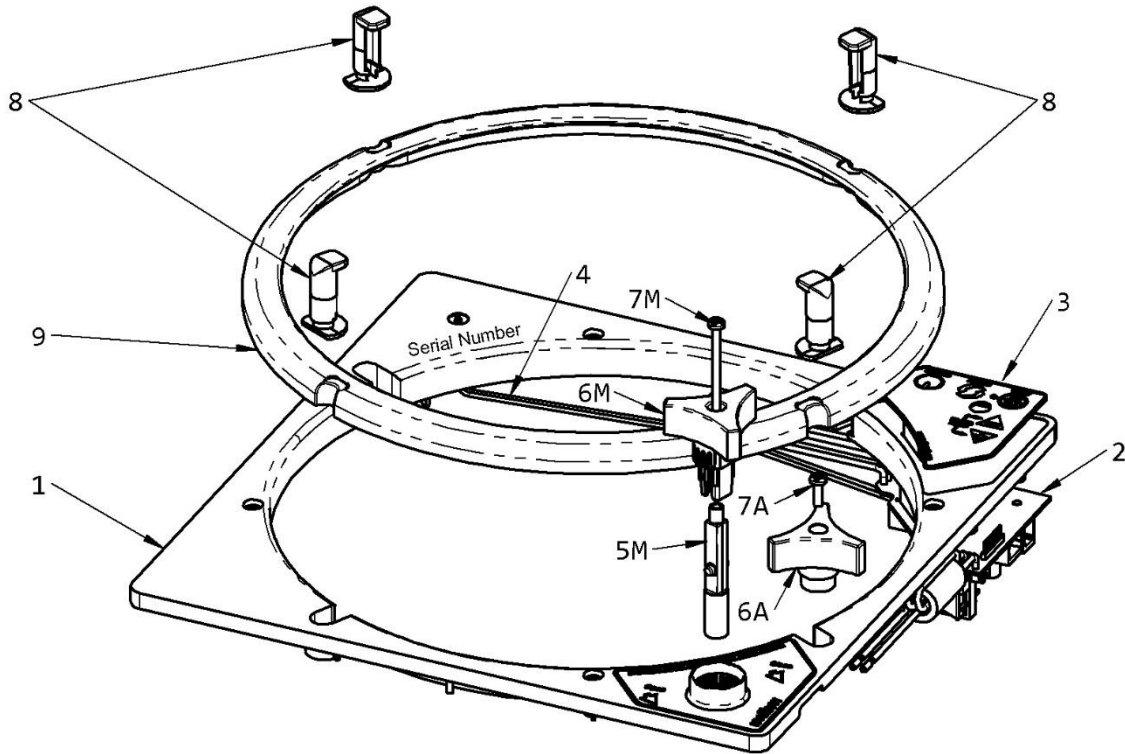
White: 10A20211-3.0
White: 10-20213140-3



HANDHELD REMOTE
Intake/Exhaust: 00A01150K

HARDWARE KIT
11-00051 • NOT SHOWN

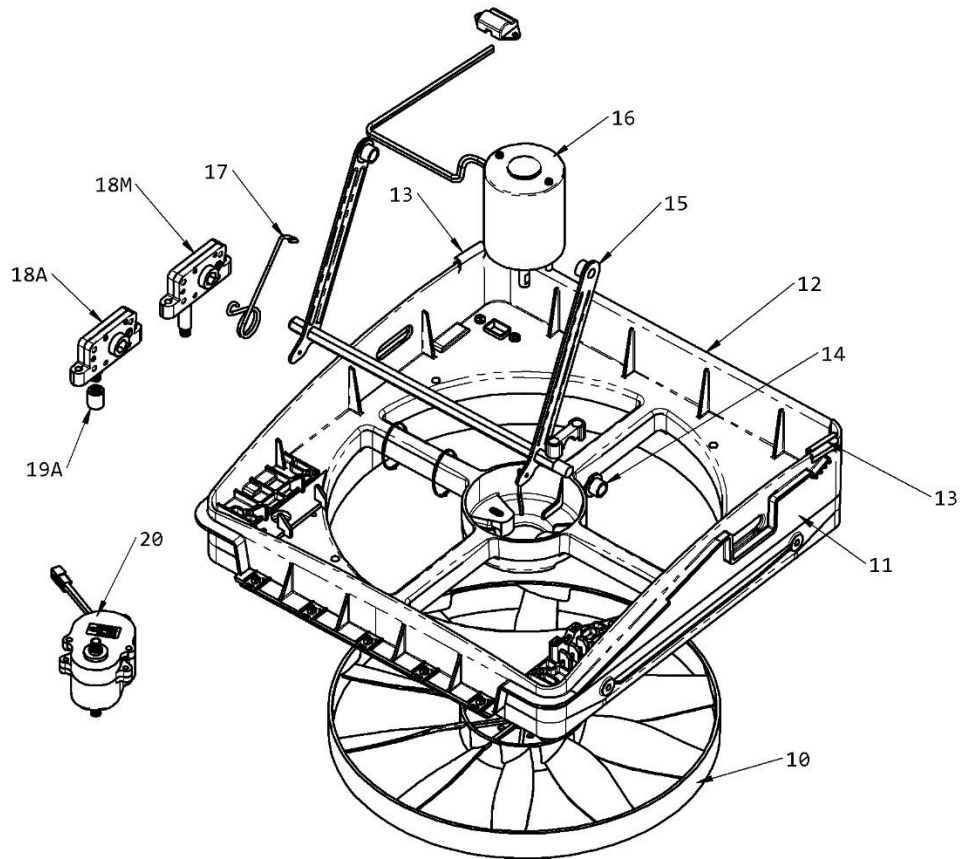
CONTROL PLATE ASSEMBLY



CODE	USED ON MODELS	PART NUMBER	DESCRIPTION	NO. REQ.
1	All	05-20226K	Control Plate	1
2	All	10-21277K	Printed Circuit Board	1
3	5100KI, 6200KI	10-21299KI	Keypad	1
	7000KI, 7500KI	10-21304KI	Keypad	1
4	All	10-40001K	Thermistor	1
5M	5100KI, 6200KI	10-21232K	Locking Knob Shaft	1
6M	5100KI, 6200KI	05-21236K	Locking Knob	1
6A	7000KI, 7500KI	10-20223	Knob, 3 Wing	1
7M	5100KI, 6200KI	10-21241K	Locking Knob Screw	1
7A	7000KI, 7500KI	10-20265K	Knob Screw, 3 Wing	1
8	All	05-21233	Finger, Screen	4
9	All	05-30925	Round Interior Screen	1

NOTE: M = Manual Opening Models | A = Automatic (Remote) Opening Models

VENT FRAME ASSEMBLY DETAIL



CODE	USED ON MODELS	PART NUMBER	DESCRIPTION	NO. REQ.
10	All	10-20258KS	Fan Blade	1
11	All	10-21217K	Vent Frame*	1
12	7000KI40B,7500KI40TB	10-20233	Rubber Seal	1
	All**	11-00064KI	Rubber Seal	1
13	All**	11-00065KI	Rubber Seal	2
14	All	10-20287	Bushing	3
15	All	10-20222KS	Lifter Arm	1
16	All	10-20967	Fan Motor	1
17	All	10-20243K	Lid Spring	1
18M	5100KI, 6200KI	10-20281K-3CF	Operator Mechanism, Manual Lift	1
18A	7000KI, 7500KI	10-20281K-1AF	Operator Mechanism, Automatic	1
19A	7000KI, 7500KI	10-20277	Lift Motor Coupler	1
20	7000KI, 7500KI	10-20270	Lift Motor	1

NOTE: M = Manual Opening Models | A = Automatic (Remote) Opening Models
 * NOT AVAILABLE FOR REPLACEMENT. Only option available is to replace the product.
 **Not used on Models 7000KI40B & 7500KI40TB