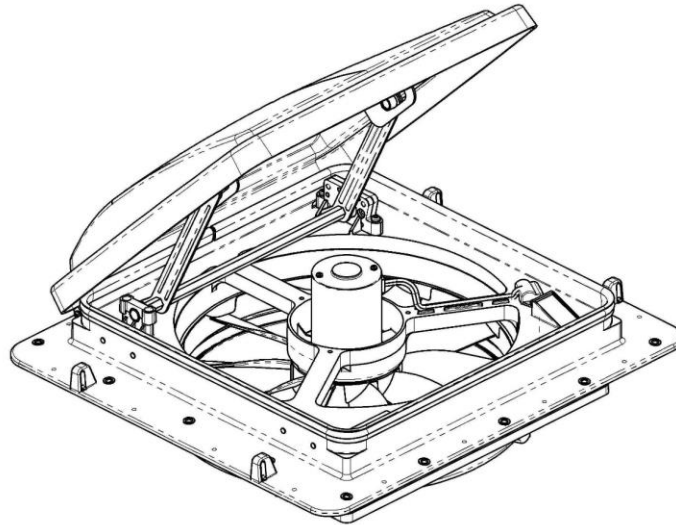


# MAXXFAN®

## REPAIR PARTS LIST

**FOR MAXXFAN® Plus International  
MODELS 4000KI(A), 4500KI(T), 4540KI(A),  
4000KI44, 4050KI44, 4050KI44T, 4500KI40T**



## WARRANTY INFORMATION

Please has the **SERIAL NUMBER** of your MAXXFAN Deluxe available when calling for parts and service. To locate your serial number, please refer to the figure on page 3 for serial number location.

For technical assistance, repair parts or warranty claim assistance concerning your MAXXFAN Deluxe, please contact us at 316.832.3400.

For full WARRANTY terms and conditions, please visit [www.AIRXCEL.com](http://www.AIRXCEL.com).

PLEASE NOTE: For full WARRANTY terms and conditions on products purchased in Australia or New Zealand, please visit [www.coastrv.com.au](http://www.coastrv.com.au) or [www.coastrv.co.nz](http://www.coastrv.co.nz).

For products purchased outside of the US, Australia or New Zealand, please contact your local AIRXCEL, INC. distributor.

**WARNING!** To reduce the risk of fire, injury to persons or damage to property, use only in the manner intended by AIRXCEL, INC. Should you have questions, please contact AIRXCEL/MAXXAIR VENTILATION SOLUTIONS Customer Service at 316.832.3400.

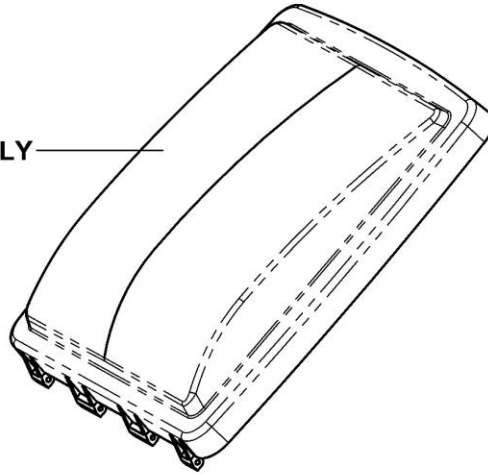


AIRXCEL, INC. – RV Products Division / MAXXAIR

**REPAIR PARTS LIST**  
**FOR MAXXFAN Plus International**  
**MODELS 4000KI(A), 4500KI(T), 4540KI(A),**  
**4000KI44, 4050KI44, 4050KI44T, 4500KI40T**

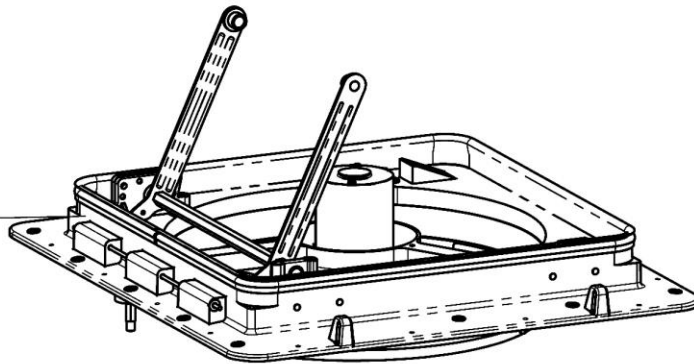
**MAXXFAN STANDARD LID ASSEMBLY**

White: 12-00056  
Smoke: 12-00057  
Tint: 12-00076



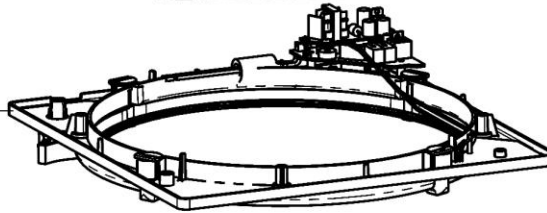
**VENT FRAME ASSEMBLY**

See Page 4 for detailed parts breakdown



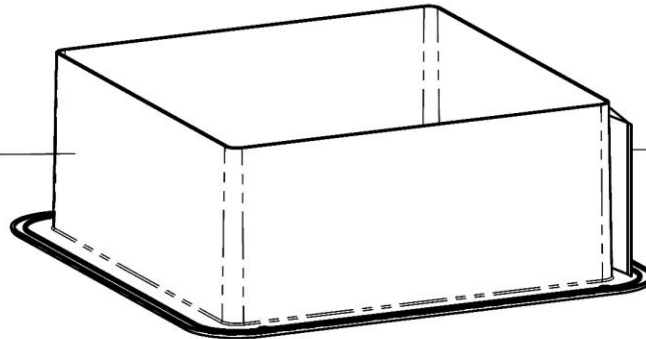
**CONTROL PLATE ASSEMBLY**

See Page 3 for detailed parts breakdown



**GARNISH RING INTERIOR**

White: 10A20211-3.0  
White: 10-20213i40-44  
White: 10-20213i40-3

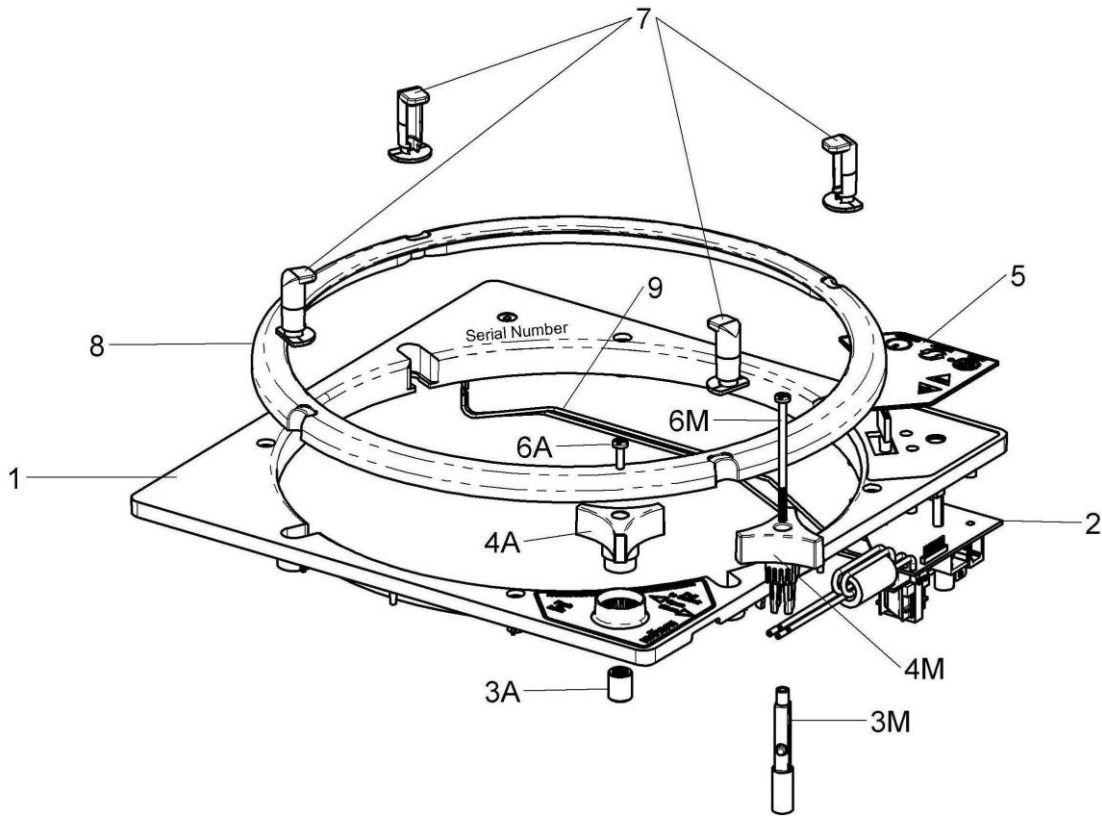


**HARDWARE KIT**  
11-00060



**HANDHELD REMOTE**  
Intake/Exhaust: 00A01150K

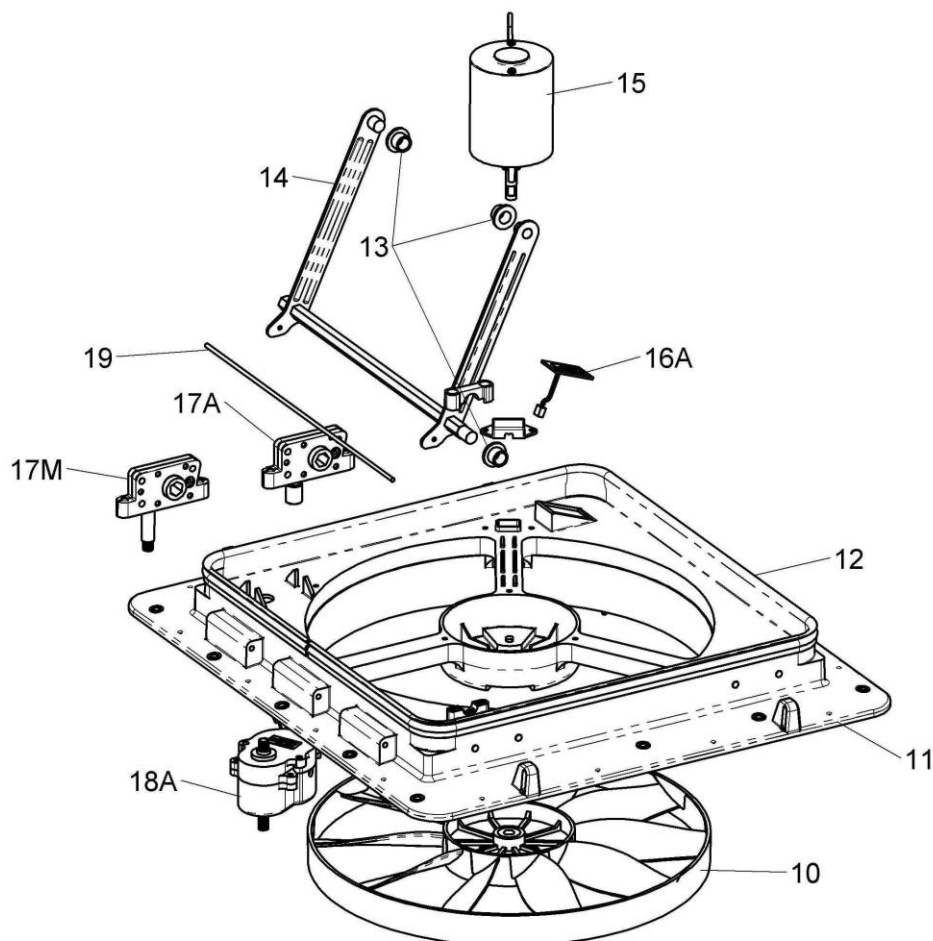
# CONTROL PLATE ASSEMBLY



CODE	USED ON MODELS	PART NUMBER	DESCRIPTION	NO. REQ.
1	All	05-20226K	Control Plate	1
2	All	10-21277K	Printed Circuit Board	1
3M	4000KI	10-21232K	Locking Knob Shaft	1
3A	4500KI, 4540KI	10-20277	Lift Motor Coupler	1
4M	4000KI	05-21236K	Locking Knob	1
4A	4500KI, 4540KI	10-20223	Knob, 3 Wing	1
5	4000KI	10-21299KI	Keypad	1
	4500KI, 4540KI	10-40005KI	Keypad	1
6M	4000KI	10-21241K	Locking Knob Screw	1
6A	4500KI, 4540KI	10-20265K	Knob Screw, 3 Wing	1
7	All	05-21233	Finger, Screen	4
8	All	05-30925	Round Interior Screen	1
9	All	10-40001K	Thermistor	1

NOTE: M = Manual Opening Models | A = Automatic (Remote) Opening Models

## VENT FRAME ASSEMBLY DETAIL



CODE	USED ON MODELS	PART NUMBER	DESCRIPTION	NO. REQ.
10	All	10-20258KS	Fan Blade	1
11	4000KI(A), 4500KI(T), 4540KI(A)	11A00054Z	Base*	1
	4000KI44, 4050KI44, 4050KI44T, 4500KI40T	11-10064Z	Base*	1
12	All	10-20233	Rubber Seal	1
13	All	10-20287	Bushing	3
14	All	10-20222KS	Lifter Arm	1
15	All	10-20967	Fan Motor	1
16A	4500KI, 4540KI	10-40007K	Rain Sensor	1
17M	4000KI	10A20281K-3CF	Operator Mechanism, Manual Lift	1
17A	4500KI, 4540KI	10A20281K-1AF	Operator Mechanism, Automatic Lift	1
18A	4500KI, 4540KI	10-20270	Lift Motor	1
19	All	10-40003K	Lid Hinge Pin	1

NOTE: M = Manual Opening Models | A = Automatic (Remote) Opening Models  
 \* NOT AVAILABLE FOR REPLACEMENT. Only option available is to replace the product.