



An AIRXCEL Brand

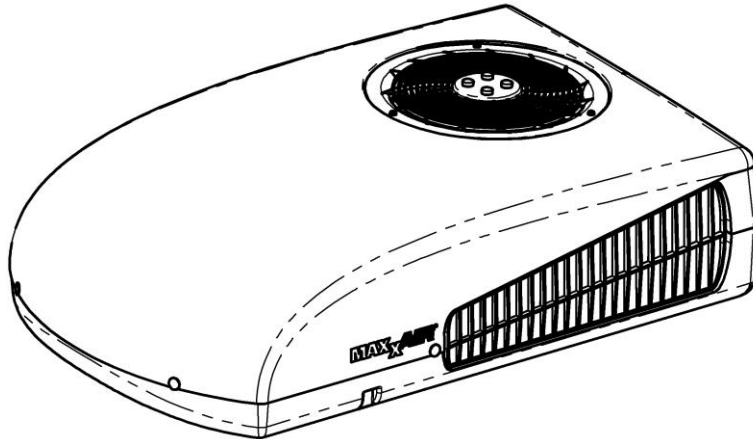
REPAIR PARTS LIST FOR

441X1-656X MAXXAIR 2400

441X3-656X MAXXAIR 3100

International Heat Pump

(Includes Models: 44101-6565, 44101-6567, 44151-6565,
44103-6565, 44103-6567, 44153-6565)



WARRANTY INFORMATION

PARTS RETURN

“Air Conditioning” in-warranty parts subject to return to RV Products must be sent prepaid to the following address. Always include your company’s claim or workorder along with RVP’s invoice generated from the shipment of the replacement part.

RV Products
A Division of Airxcel, Inc.
Attn: Warranty Return
3050 N. St. Francis
Wichita, KS 67219

WRITTEN CORRESPONDENCE

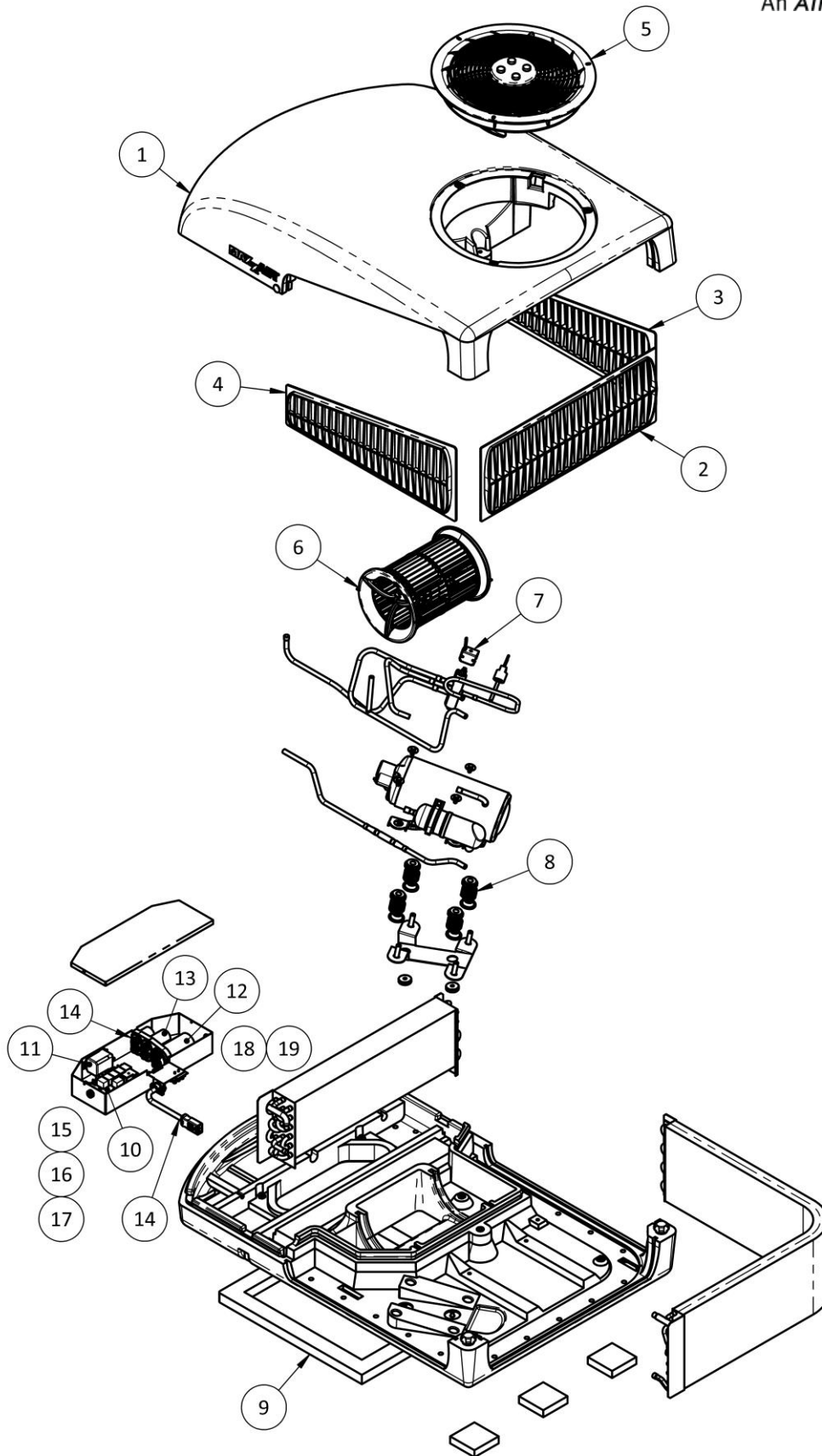
All written correspondence (no parts) should be sent to the following address:

RV Products
A Division of Airxcel, Inc.
Dept. 546
P.O. Box 4020
Wichita, KS 67204

441X1-656X
441X3-656X

MAXxAIR

An AIRXCEL Brand



441X1-656X
441X3-656X



An AIRXCEL Brand

CODE	USED ON MODEL	PART NO. NUMBER	DESCRIPTION	REQUIRED
1.	All	44101-5061	Top Assembly	1
2.	All	44101-3051	Guard – Rear	1
3.	All	44101-3071	Guard - Right	1
4.	All	44101-3081	Guard – Left	1
5.	441X1	44101-3021	Outdoor Fan Assembly	1
	441X3	44103-3021	Outdoor Fan Assembly	1
6.	441X1	44101-3011	Indoor Blower Assembly	1
	441X3	44103-3011	Indoor Blower Assembly	1
7.	All	1460-1441	Solenoid Coil	1
8.	All	1450-9251	Compressor Mount Package	1
9.	441XX-6565	47233-3301	Basepan Gasket	1
	441XX-6567	47103A3301	Basepan Gasket	1
10.	All	44101-3201	Control Board	1
11.	All	1460-1421	Pressure Switch Relay	1
12.	441X1	1499-5661	Compressor Run Capacitor	1
	441X3	1499-5681	Compressor Run Capacitor	1
13.	441X1	1499-5431	Outdoor Fan Capacitor	1
	441X3	1499-5441	Outdoor Fan Capacitor	1
14.	4415X	9470-3011	Power Cord/Plug	1
15. (ns)	All	9430A3191	Ceiling Assembly Patch Cord	1
16. (ns)	All	44101-5161	Room Sensor Assembly	1
17. (ns)	All	7330A3231	Indoor Coil Assembly	1
18. (ns)	All	9570-3231	Outdoor Coil Sensor	1
19. (ns)	All	44101A3151	Outdoor Fan Wire Harness	1

(ns) – Not Shown

SPECIAL ORDER PARTS:

NOTE: All parts with three-digit suffix numbers are for reference and/or “Special Order” parts. These parts may not be provided for replacement or are subject to factory availability and require extra time for delivery.