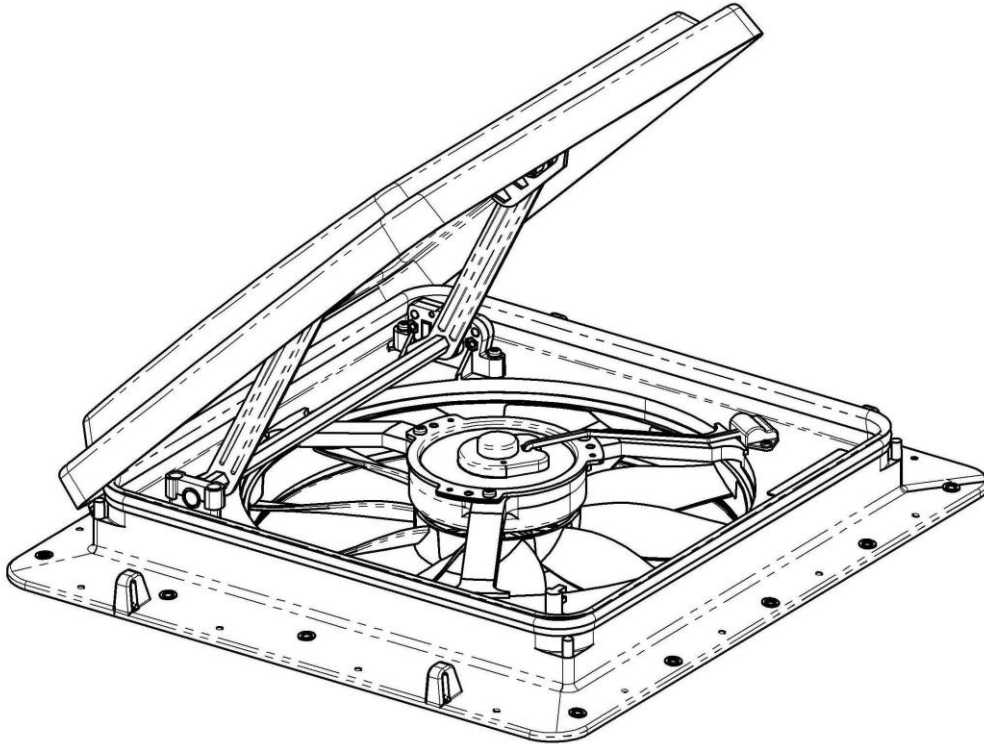


# MAXXFAN®

## REPAIR PARTS LIST FOR MAXXFAN LOW PROFILE Models 4301M & 4401M



### WARRANTY INFORMATION

Please have the **SERIAL NUMBER** of your MAXXFAN available when calling for parts and service. To locate your serial number, please refer to the figures on pages 3 and 4 for serial number locations.

For technical assistance, repair parts or warranty claim assistance concerning your MAXXFAN Low Profile, please contact us at 316.832.3400.

For full WARRANTY terms and conditions, please visit [www.AIRXCEL.com](http://www.AIRXCEL.com).

**WARNING!** To reduce risk of fire, injury to persons or damage to property, use only in the manner intended by AIRXCEL, INC. Should you have questions, please contact AIRXCEL/MAXXAIR Customer Service at 316.832.3400.



AIRXCEL, INC. – RV Products Division/MAXXAIR  
3050 N. St. Francis St. • Wichita, KS 67219 • 316-832-3400 • [www.Airxcel.com](http://www.Airxcel.com)

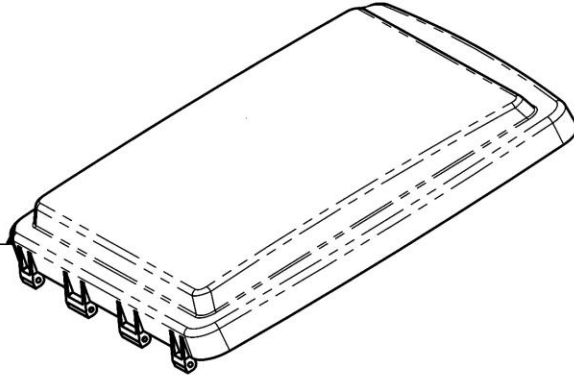
# REPAIR PARTS LIST

## FOR MAXXFAN LOW PROFILE

### MODELS 4301M & 4401M

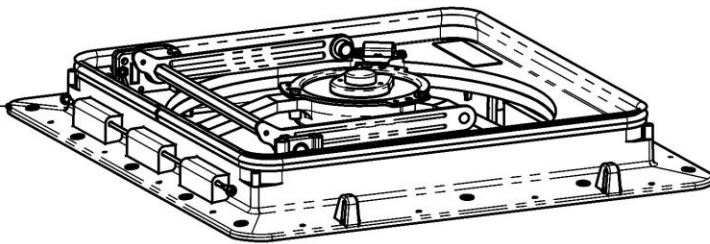
#### MAXXFAN LOW PROFILE LID ASSEMBLY

White: 05-04301  
Black: 05-04401



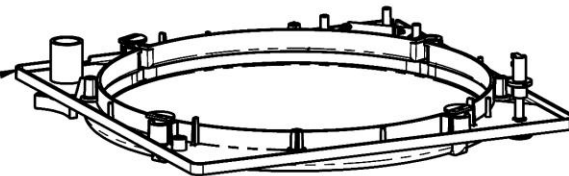
#### BASE ASSEMBLY

See Page 4 for detailed  
parts breakdown



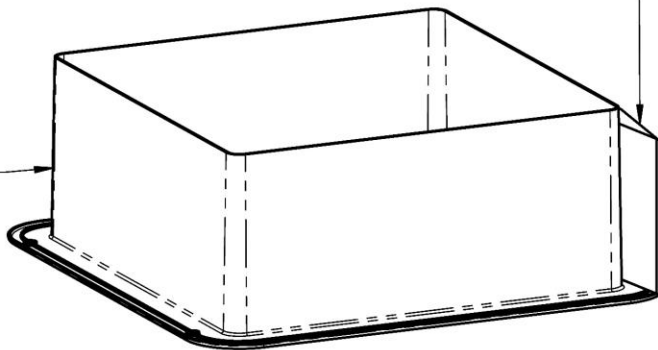
#### CONTROL PLATE ASY

See Page 3 for detailed  
parts breakdown



#### GARNISH RING INTERIOR

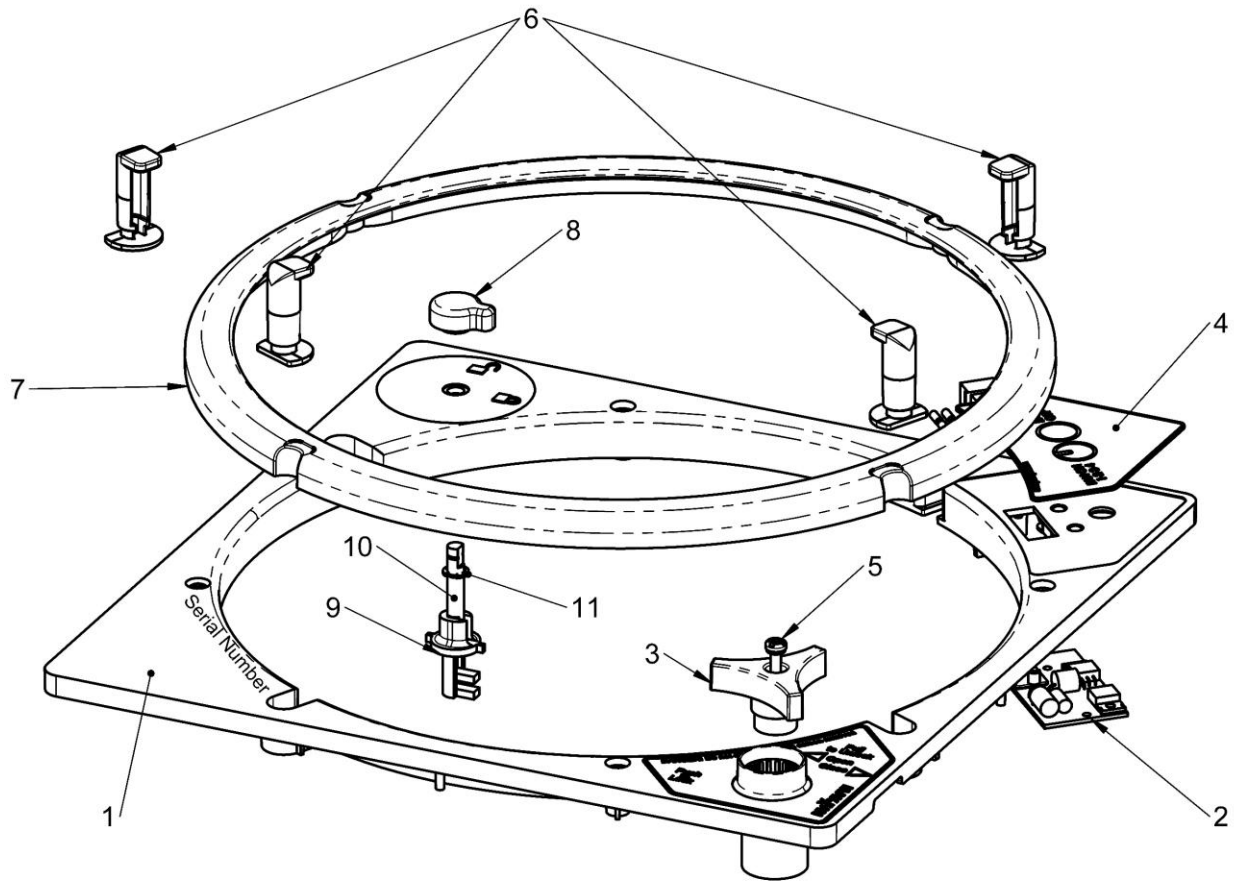
WHITE: 10-20211-5.3



#### HARDWARE KIT

11-00060

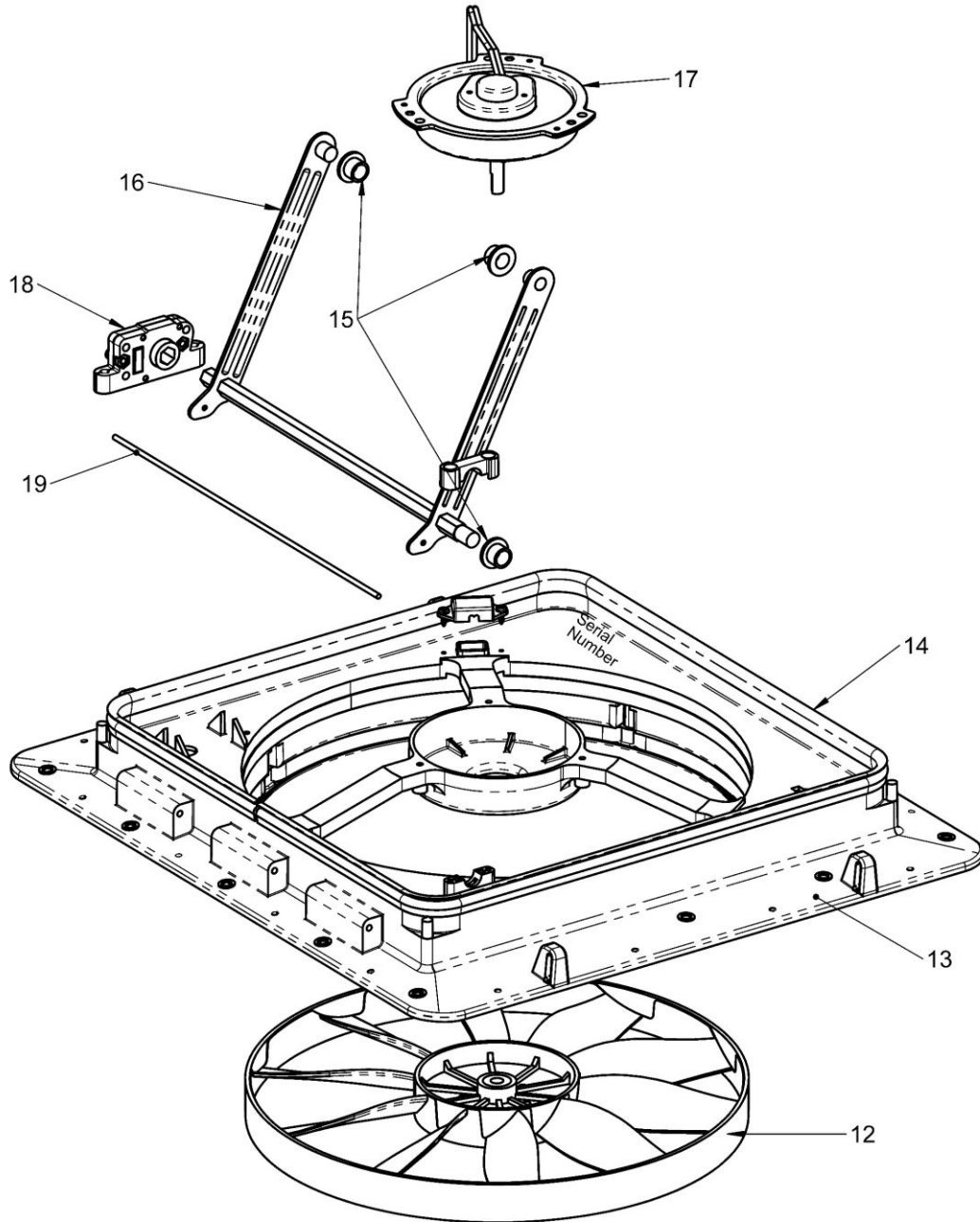
# CONTROL PLATE ASSEMBLY



CODE	USED ON MODELS	PART NUMBER	DESCRIPTION	NUMBER REQUIRED
1	All	10-04060	Control Plate Assembly	1
2	All	10B04301K	Printed Circuit Board*	1
3	All	10-04055	Knob	1
4	All	10-43010K	Keypad*	1
5	All	10-20265K	Knob Screw	1
6	All	05-21233	Finger, Screen	4
7	All	05-30925	Round Interior Screen	1
8	All	10-04052	Knob, Lid Lock*	1
9	All	10-04054	Lid Lock Pawl*	1
10	All	10-04053	Lid Lock Shaft*	1
11	All	10-04066	E-Clip*	1

\* Also included in Control Plate Assembly Package

# BASE ASSEMBLY DETAIL



CODE	USED ON MODELS	PART NUMBER	DESCRIPTION	NUMBER REQUIRED
12	All	11-00058	Fan Blade	1
13	All	11-04023	Base**	1
14	All	10-20233	Rubber Seal	1
15	All	10-20287	Bushing	3
16	All	10-20222KS	Lifter Arm	1
17	All	10-04024	Fan Motor	1
18	All	10A04040	Operator Mechanism, Manual Lift	1
19	All	10-40003k	Hinge Pin	1

\*\*Need to replace entire product