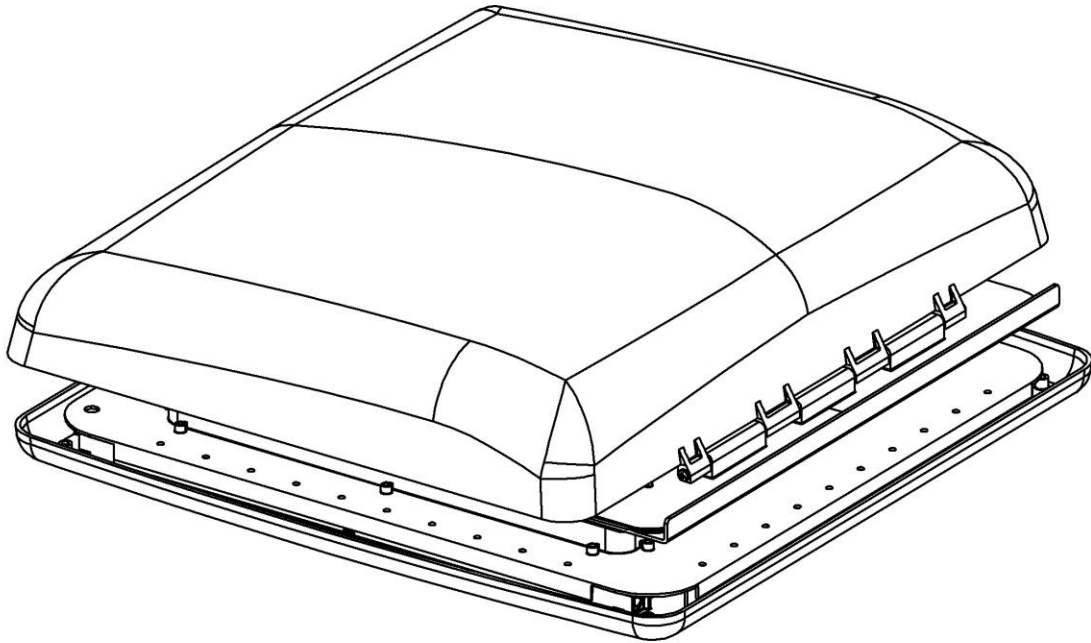


# MAXXAIR®

## REPAIR PARTS LIST FOR SKYMAXX & SKYMAXX Plus Models 97500 & 97510



### WARRANTY INFORMATION

Please have the **MODEL NUMBER & SERIAL NUMBER** of your **SKYMAXX** available when **calling for parts and service**. The model number and serial number are on the back page of the Installation/Operation Manual. The model number is also on the ceiling flange which is viewable by removing the interior frame assembly.

For technical assistance, repair parts or warranty claim assistance concerning your **MAXXAIR SkyMaxx**, please contact us at 316.832.3400 or email us at [rvpsupport@airxcel.com](mailto:rvpsupport@airxcel.com).

For Full **WARRANTY** Terms and Conditions, please visit [AIRXCEL.com](http://AIRXCEL.com).

**WARNING!** To reduce risk of fire, injury to persons or damage to property, use only in the manner intended by **AIRXCEL, INC.** Should you have questions, please contact **AIRXCEL/MAXXAIR** Customer Service at [rvpsupport@airxcel.com](mailto:rvpsupport@airxcel.com).

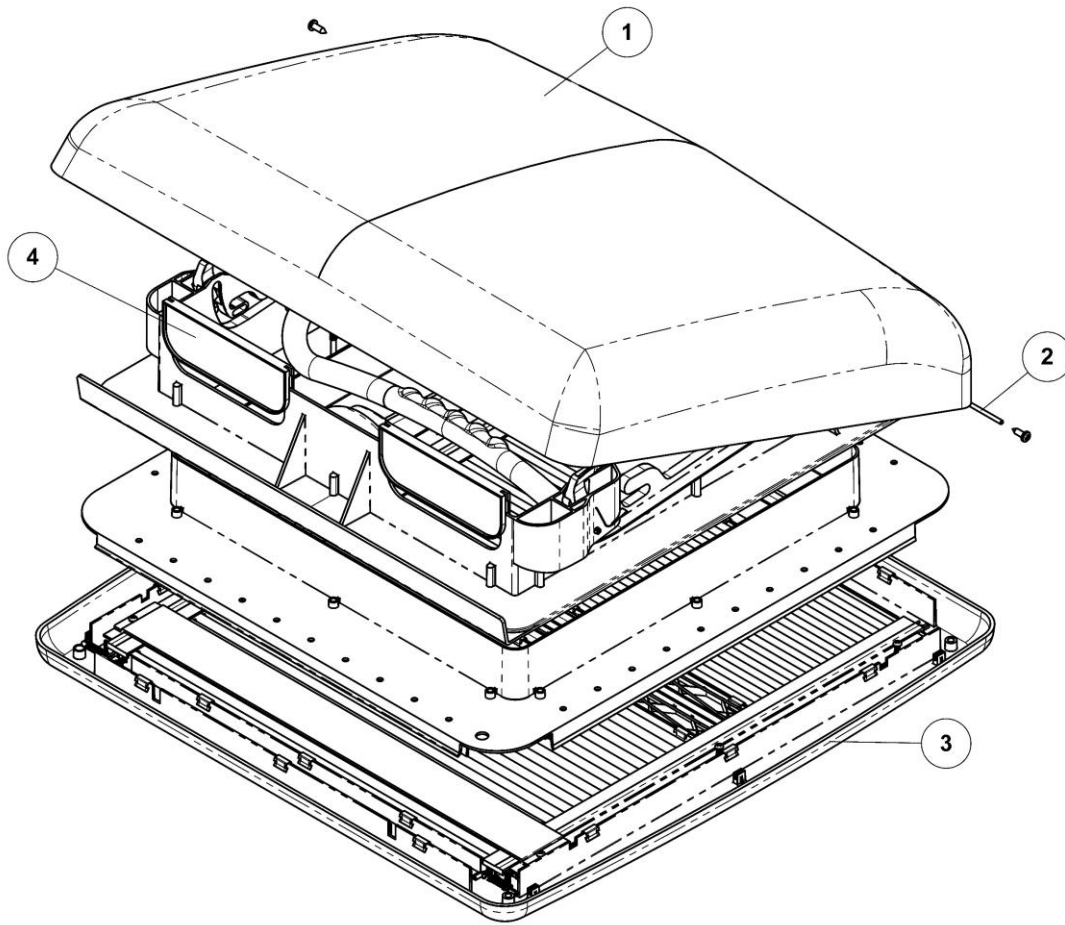


An **AIRXCEL** Brand

# REPAIR PARTS LIST

## FOR SKYMAXX & SKYMAXX Plus

### MODELS 97500 & 97510



CODE	USED ON MODEL	PART NUMBER	DESCRIPTION	NO. REQUIRED
1	All	11-00105	Lid Assembly	1
2	All	11-00138	Hinge Pin	1
3	97500	11-00175	Interior Frame Assembly	1
	97510	11-00150	Interior Frame Assembly (LED)	1
4	All	05-00185	Vent Insert w/ Screen	2
	All	11-00185	Vent Insert Blank	2
ns	All	11-00160	Hardware Kit	1

Code ns - Not Shown

Small Parts Package

Mounting Screws 11-00173